



Size 2-5



1250mm
(max door width)

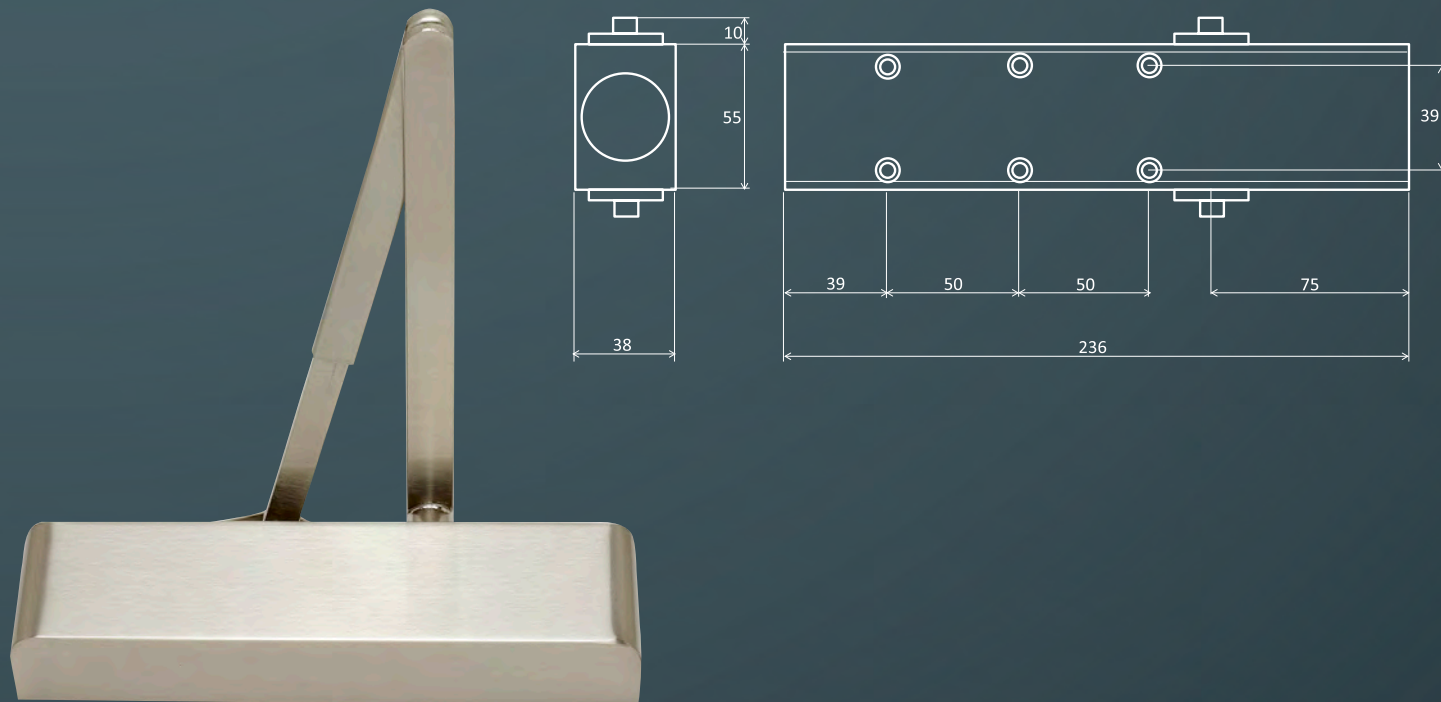


100kg
(max door weight)



25 Years

TS5.225 - Spring Adjustable, c/w Back Check



Product Overview:

- A highly efficient, durable and stylish variable power overhead door closer. Suitable for most applications particularly those with public use.
- Power size 5 in fig.1 & fig.66.
- Provided with a fig.66 bracket
- CE/UKCA with backcheck function

Testing & Standards

- CE Marked EN1154
- UKCA marked EN1154
- Included in successful fire test to EN1634
- Suitable for use on timber fire doors of up to 120 minutes fire resistance and 240 minutes on insulated steel doors
- Certifire approved
- Safe in use
- High corrosion resistance

BS8300 - Approved Document M

The TS5.225 Overhead door closer (Standard fixing position) has an opening force (0-30°) less than 30N when fitted to a minimum width door of 900mm (Fig 1) & 826mm (Fig 6), and has an opening force (30-60°) less than 22.5N when fitted to a minimum width door of 826mm. Therefore the suitable width of door for the TS5.225 Overhead door closer when fitted in the above fixing positions shall be 900mm, Fig 1 & 826mm Fig 6.

Specification	TS5.225	
Closing force	EN size	2-5
Door size (max)	Width (mm)	1250
	Weight (kg)	100
Door size (min)	Width (mm)	350
	Body dimensions	
	Length (mm)	236
	Height (mm)	58
	Depth (mm)	38
Application	Pull side fig 1	✓
	Push side fig 66	✓
	Transom fig 61	✓*
Mechanism	Rack & pinion	✓
Power shoe bracket		✓
Angle of opening		180°
Non handed		✓
Power adjustment by spring		✓
Adjustable sweep speed		✓
Adjustable latch speed		✓
Adjustable backcheck		✓

Options	TS5.225	
Architrave Bracket		✓*
Drop plate		✓*
Hold-open arm (Not suitable for use on fire doors)		✓*
Saddle bracket for glass door installation		✓*
Upstand bracket for over panel or UPVC doors		✓*

* these options are not covered by CE

Cover options	TS5.225	
Semi-radius		✓
Full-radius		✓
Square		✓

Finish options	TS5.225	
Cover & matching sissor arm	SIL	✓
	SSS	✓
	PB	✓
	PSS	✓
	T316	✓
	RAL/Lacquered	✓
	Special plated finishes	✓

Tested to EN1154	TS5.225	
------------------	---------	--

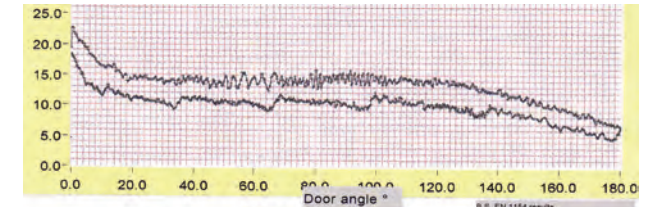
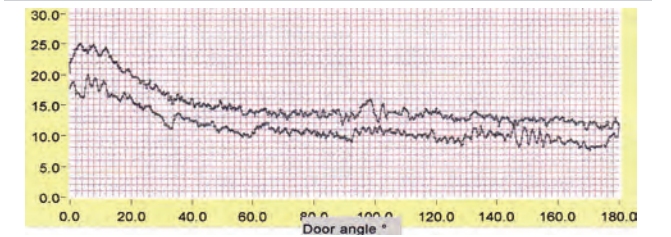
4 8 2/5 1 1 3 - fig.1

3 8 2/5 1 1 3 - fig.66



BS8300 - Approved Document M TS5.225

Meets opening force requirements



Bodycote Warrington APT
S.S. EN 1154 results
Efficiency 0°-4° = 30%
Max opening 0°-4° = 22.66 Nm
Max opening 0°-30° = 22.66 Nm
Max opening 30°-60° = 15.26 Nm
Max closing 4°-0° = 15.16 Nm

CE certificate



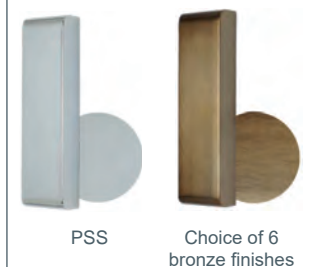
Finishes



UKCA certificate



Certifire certificate



Cover options



Semi radiused cover
L:270 x H:69 x D:40mm



Square edged cover
L:247 x H:70 x D:43mm



Full radiused edged cover
L:297 x H:70 x D:40mm