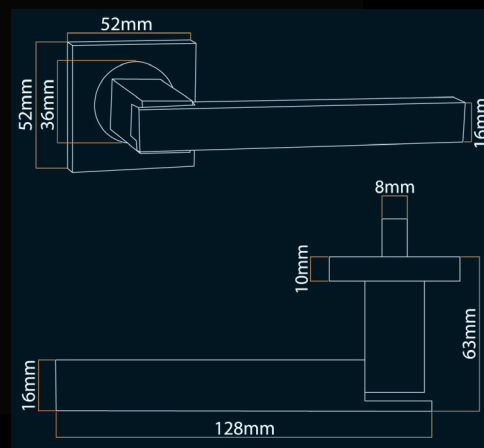
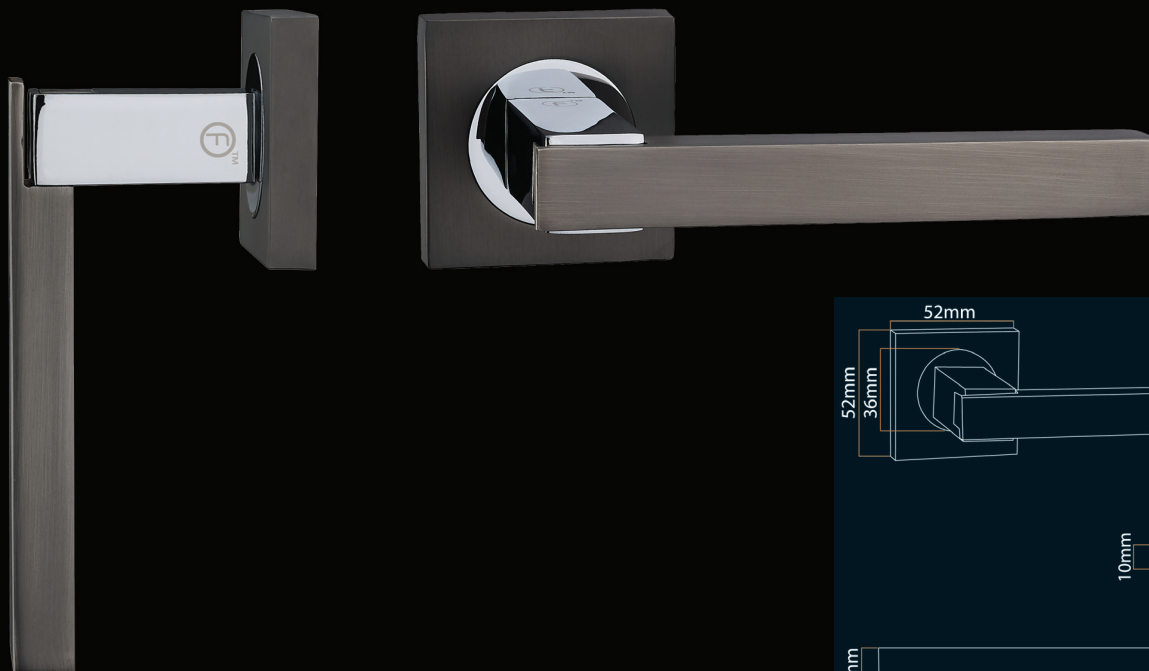


GOTHAM

GRAVITY



Specification

Use	Internal Residential Use	Durability	Tested to 100,000 Cycles	Finish	Gun Metal Grey & Polished Chrome
Door Thickness	Suitable for 35mm – 50mm	Corrosion Resistance	48 hours Salt atomised Spray	Lever Base Material	Zinc Alloy / Zamak
Spindle Size	100mm x 8mm	Weight	Info required per lever design	Code	FGOVAD-GMG
Operation	Sprung Lever	Angle of Rotation	0° 50°	Fixings	Woodscrew & bolt through fixings. Longer bolt through fittings available on request for greater door thickness.
Axial Load	300N	Rotational Torque	20Nm		

Fitting Instructions

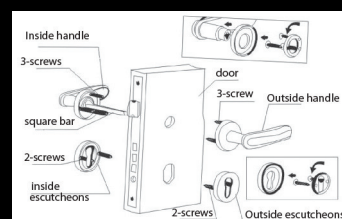
Suitable for door thicknesses of 35-50mm

- 1 Decide on left opening or right opening (see below).
- 2 Install escutcheons and terra as per drawing. Note; Leave screws slightly loose.
- 3 Adjust position, to make sure the terra turn smoothly.

Left Handed Door use left hand to open



Right Handed Door use right hand to open



Cleaning Instructions

Always use a Soft cloth. If necessary, you can humidify the soft cloth. If absolutely necessary on rare occasions you can use a PH neutral soap on a soft cloth but immediately after application, you should remove any soap with the help of a moist soft cloth.

Under no circumstances should a hard tool (brush or wire metallic cloth), or an abrasive or acidic substance be used on the door terra.

Special Warning on Corrosive Air

Please be aware that environments where there are high concentrations of chemicals in the air, eg. emanating from low quality paint or corrosive agents, corrosion & damage may occur to the surface of the door lever. Door Levers should not be fitted into such environments until the high concentrations of chemicals in the air have subsided.

Fortessa door handles are covered by a 10 Year Guarantee on Mechanical Parts. This Guarantee covers the internal mechanisms of the lever and the spring only. Should the internal mechanism or spring within our levers fail to meet this standard, within a 10 year time frame, we guarantee to replace the failing internal parts free of charge. The warrant is to the original Retail Purchaser only, but to no other person. Should a mechanical part failure occur the replacement parts will be sent to the original retail purchaser, where we then advise they are fitted by a professional. The 10 year time frame begins at date of purchase. Receipt required for proof of purchase date. Handles must be fitted according to the fitting instructions., and must be cared for according to the Care Instructions.

Fortessa is exclusively distributed in the UK by:

A Limited Edition by
FORTESSA

boss
door
controls



3&4 Rutherford Square, Brucefield Industry Park, Livingston EH54 9BU. T: 01506 467477 E: sales@bosssdoorcontrols.com

www.bosssdoorcontrols.com