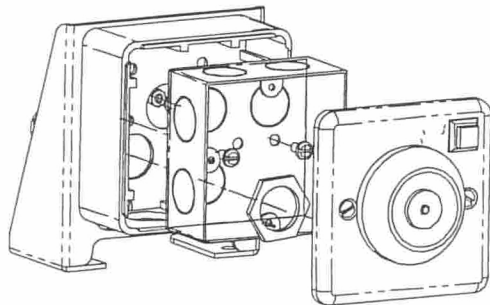
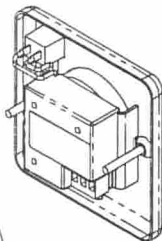
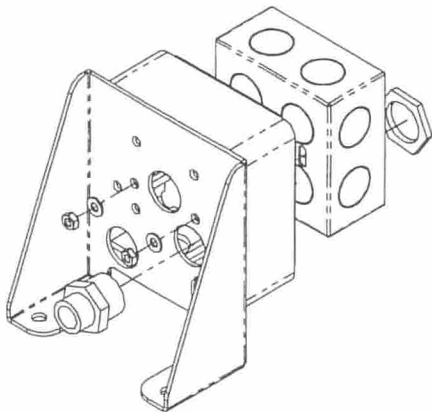


TS7 Door Retaining Magnet



Kit Contents

- Floor bracket
- 2 M4 screws
- 2 M4 nuts/washers

Also Required

- Electromagnetic door holder
- Mounting sleeve
- Fixings to suit the floor surface

Instructions

1. Refer to the instructions supplied with each door holder.
2. Cable entry can be through the mounting sleeve side or through the rear of the floor bracket.
3. Fit the floor bracket in the desired position using suitable fasteners.
4. Fit the back box to the bracket using the screws, nuts and washers supplied as shown above.
5. Connect the supply cable.
6. Slide the sleeve over the back box and fit the magnet/front plate.