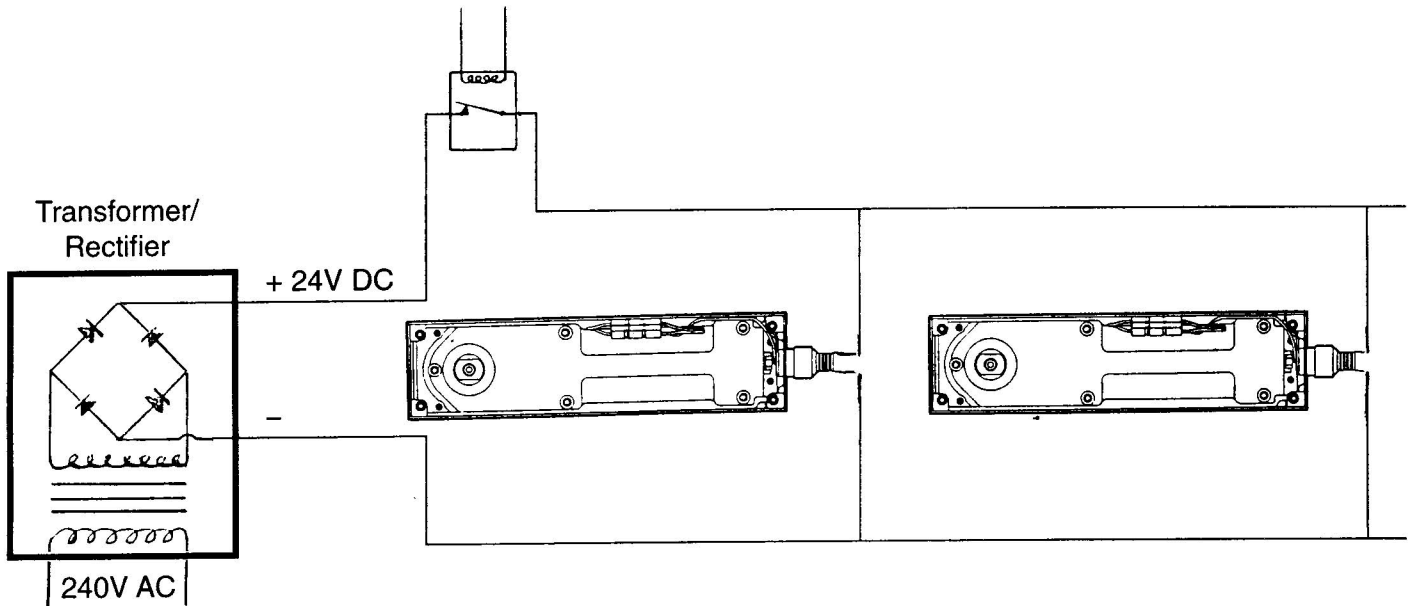


# ELECTROMAGNETIC FLOOR SPRINGS

Relay energised by alarm system



**Note: Each closer draws 95 mA**  
**Transformer = 24V DC**  
**Polarity is unimportant**