
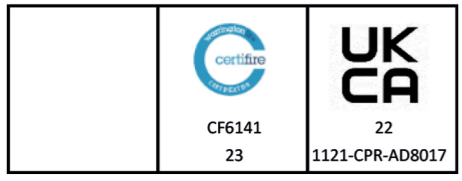


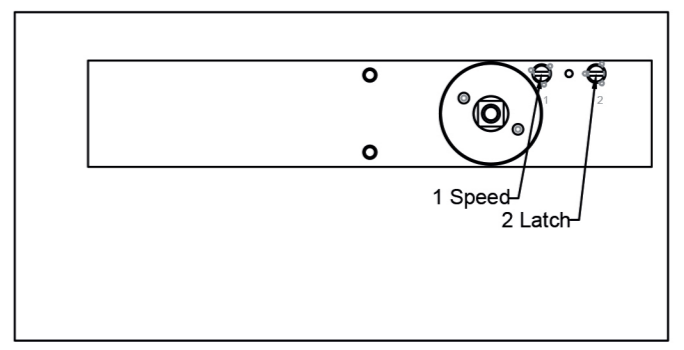
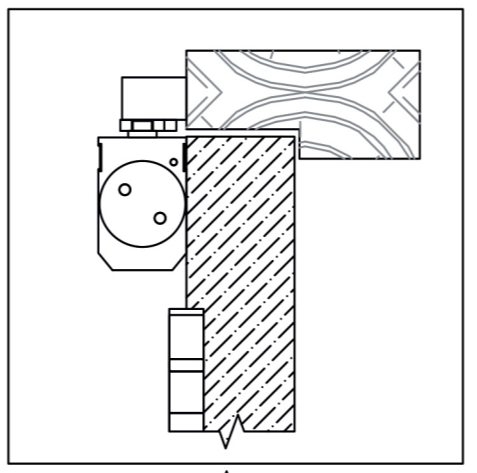
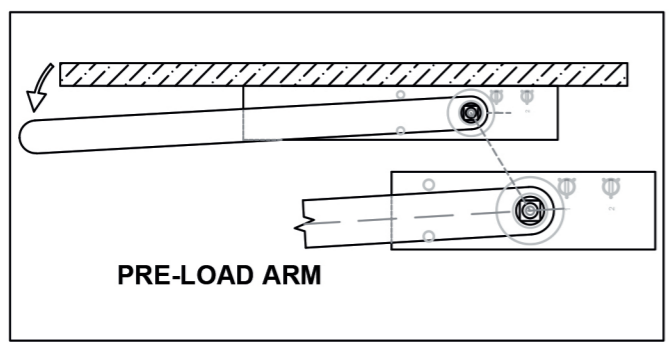
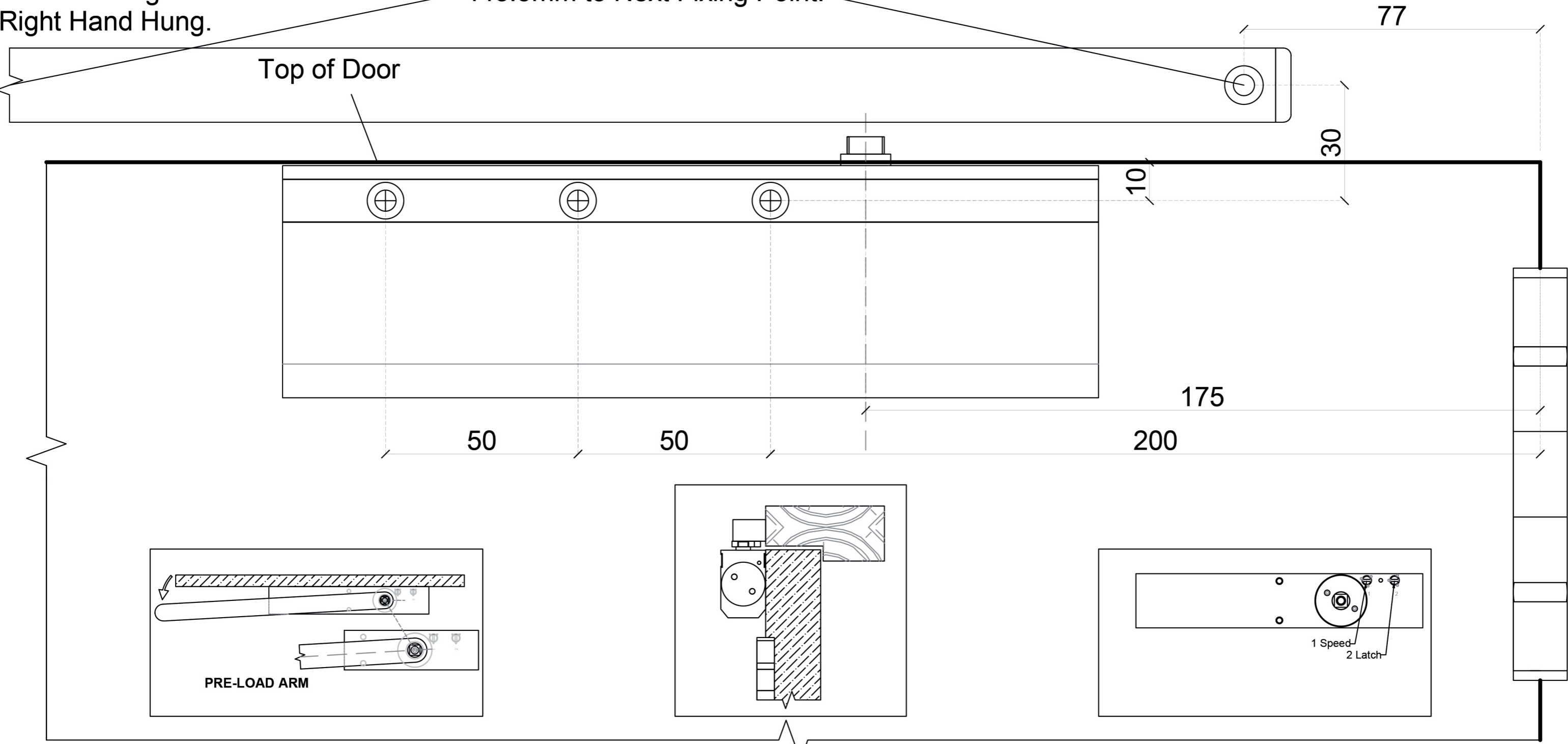
2-5 Model		
N° of Turns	Direction	Size
3	-	2
0	*	3
4	+	4
7	+	5


Power Adjustment
 * : FACTORY PRE-SET






TS6-225 Fig. 1
Right Hand Hung.

443.5mm to Next Fixing Point.



2-5 Model		
N° of Turns	Direction	Size
3	-	2
0	*	3
4	+	4
7	+	5


Power Adjustment
 * : FACTORY PRE-SET

 CF6141 23	 22 1121-CPR-AD8017
---	--

