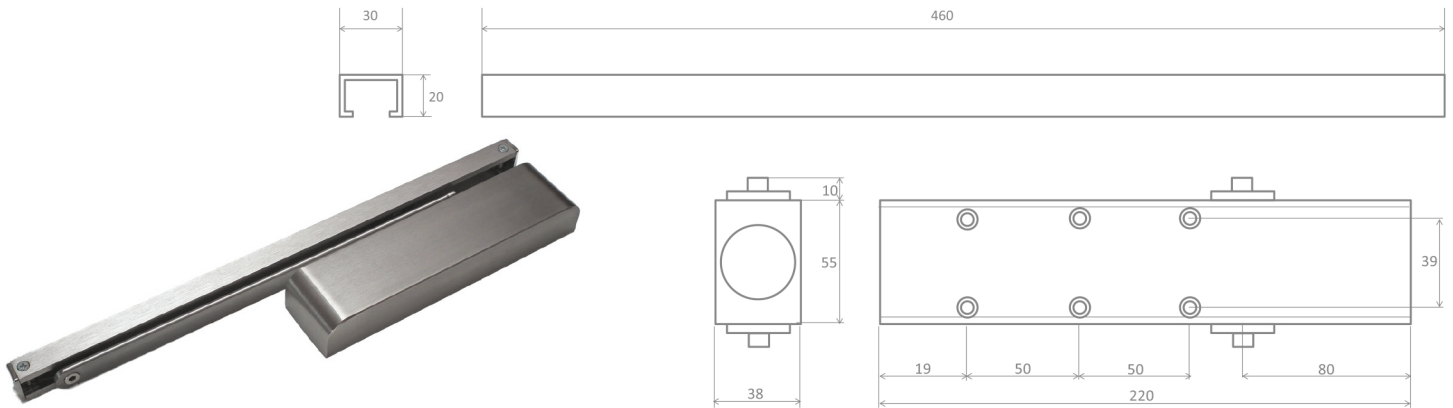


TS5.225SA Size 2-4 Guide Rail Door Closer



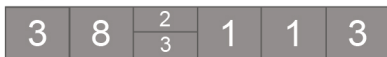
Product Overview:

A durable and stylish variable power overhead guide rail door closer. Suitable for a variety of applications where BS8300/Equalities Act/ Approved Document 'M' is not a requirement.

Fig 1



Fig 61 Push



Testing & Standards:

- CE marked against EN1154
- Certifire approved. Refer to CF689 for scope of approval
- Included in successful fire test to EN1634
- Suitable for use on timber fire doors of up to 120 minutes fire resistance
- Safe in use
- High corrosion resistance

Specification

Closing Force (Fig 1)	EN Size	2-4
Door Size (max)	Width (mm)	1100
	Weight (kg)	80
Body Dimensions	Length (mm)	220
	Width (mm)	55
	Depth (mm)	38
Application	Regular Fig. 1	y
	Parallel Arm Fig. 6	n
	Transom Fig. 61	y
Mechanism	Irregular Rack & Pinion	y
Power Shoe Bracket		n
Angle Of Opening		110°
Non Handed		y
Power Adjustment By Spring		y
Power Adjustment By Position		n
Adjustable Sweep Speed		y
Adjustable Latch Speed		y
Adjustable Mechanical Backstop		o*
Adjustable Delayed Action		n
Guarantee	Years	10
Options		
Architrave Brackets		n
Drop Plates		n
Track Hold-Open Device (not suitable for use on fire doors)		y*
Hollow Door Fixing Pack		n
Saddle Bracket For Glass Door Installation		n
Cover Options		
Radius Edge		n
Semi-Radius		y
Full-Radius		n
Square		n
Finish Options		
Cover & Matching Guide Rail		SIL, SSS, PSS, PB, RAL, BRONZE

* these options are not covered by CE