



Size 2-5



1250mm
(max door width)

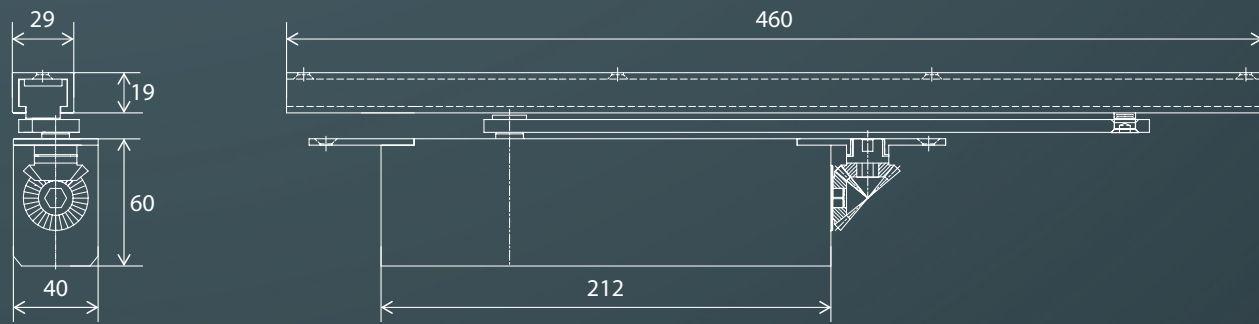


100kg
(max door weight)



25 Years

ITS6.225 - Size 2-5 Concealed Cam Action Door Closer



Product Overview:

A high efficiency, cam action concealed slide arm closer.

Suitable for most applications particularly those with public use.

An ideal solution for heavy doors combining additional closing force requirements with ease of operation.

Testing & Standards

- CE marked against EN1154
- Included in successful fire test to EN1634
- Suitable for use on timber fire doors - 54mm - 60 minutes fire resistance with suitable intumescent pack
- Safe in use
- High corrosion resistance

BS8300 - Approved Document M

The ITS6.225 door closer provides exceptional ease of use by reducing the resistance encountered when opening the door. The ITS6.225 has an opening force less than 30N at 0-30° and less than 22.5N at 30° - 60° therefore meeting the requirements of BS8300 - Approved Document M.

Specification	ITS6.225	
Closing force (Fig 1)	EN Size	2-5
Door size (max)	Width (mm)	1250
	Weight (kg)	100
	Depth (mm)	40
Door size (min)	Width (mm)	400
	Height (mm)	60
	Length (mm)	212
Body dimensions	Height (mm)	60
	Depth (mm)	40
Application	Concealed	✓
Mechanism	Cam	✓
Angle of opening		105°
Non handed		✓
Power adjustment by spring		✓
Adjustable sweep speed		✓
Adjustable latch speed		✓

Options	ITS6.225	
Track hold-open device (not suitable for use on fire doors)	✓*	
Mechanical backstop	✓	
Intumescent pack for fire door installation	✓	

* these options are not covered by CE

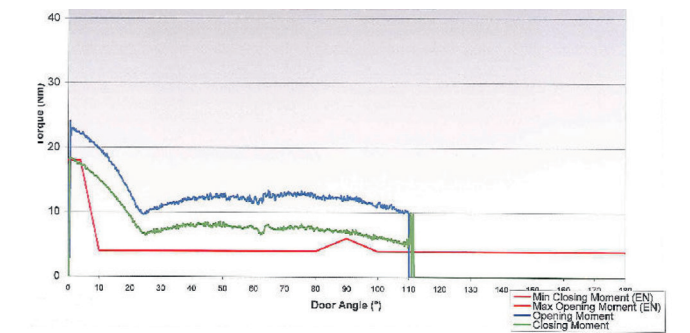
Finish options	ITS6.225	
Guide rail	SIL	✓
	SSS	✓
	PB	✓
	PSS	✓
	RAL/Lacquered	✓
	Special plated finishes	✓

Tested to EN1154 ITS6.225

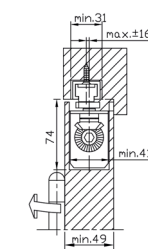
3 8 2/5 1 1 3 - fig.1

BS8300 - Approved Document M ITS6.225

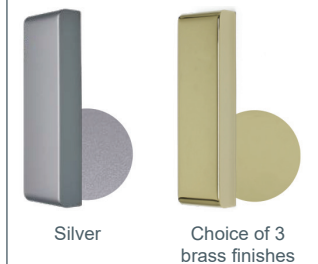
Meets opening force requirements



Mounting dimensions



Guide rail finishes



CE certificate

