

INSTALLATION INSTRUCTIONS FOR POCKET DOOR SYSTEM



READ ALL THE INSTRUCTIONS BEFORE COMMENCING INSTALLATION

Ensure you have received the correct product for your application. Once opened or installed the product will not be eligible for return.



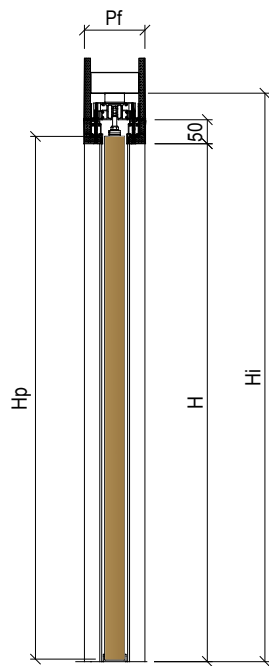
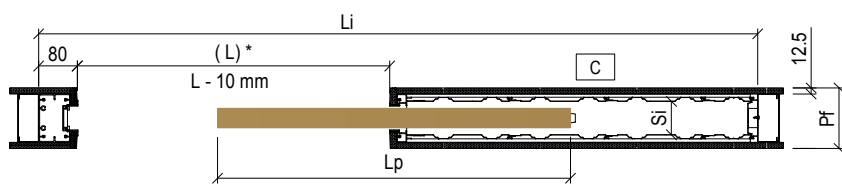
Door Size			
Imperial			
Width (Lp)	Height (Hp)	Width (Lp)	Height (Hp)
ft - in	ft - in	mm	mm
2ft 3" (27")	From	686	From
2ft 6" (30")	6ft 3 3/16	762	1910
2ft 9" (33")	to	838	
3ft (36")	7ft 10 7/8	914	2410

Installation Size Information						
Clear Opening Size (Walkthrough Area)		Cassette	Structural Opening Size		Finished Wall / Internal Space	
Width (L) *	Height (H)	(C)	Width (Li)	Height (Hi)	(Pf / Si)	
mm	mm		mm	mm	mm	
656*	From	700	1490	From	125/69	
732*	1900	750	1616	2005		
808*	to	850	1792	to		
884*	2400	900	1918	2505		

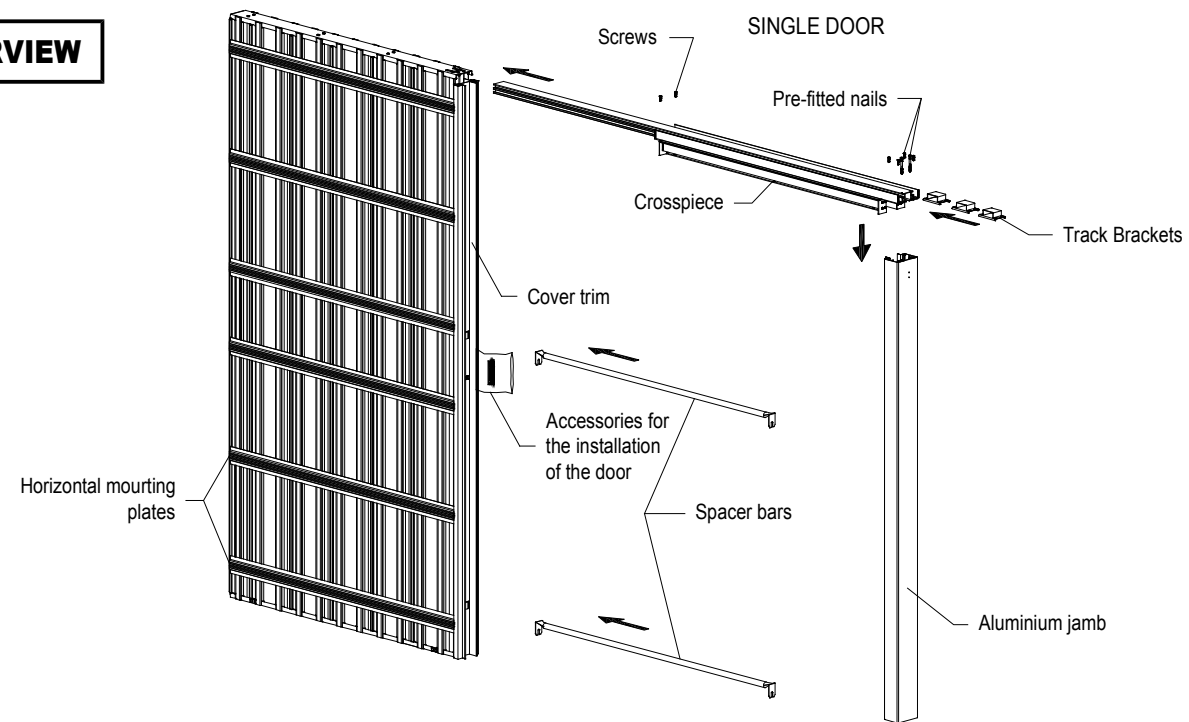
Door Size	
Metric	
Width (LP)	Height (HP)
mm	mm
626	From 1910 to 2410
726	
826	
926	
1026	
1126	
1226	
1226	

Installation Size Information						
Clear Opening Size (Walkthrough Area)		Cassette	Structural Opening Size		Finished Wall / Internal Space	
Width (L) *	Height (H)	(C)	Width (Li)	Height (Hi)	(Pf / Si)	
mm	mm		mm	mm	mm	
596*	From 1900 to 2400	600	1330	From 2005 to 2505	125/69	
696*		700	1530			
796*		800	1730			
896*		900	1930			
996*		1000	2130			
1096*		1100	2330			
1196*		1200	2530			
1196*						

* THE EFFECTIVE CLEAR OPENING SIZE IS REDUCED IN WIDTH BY 10 mm

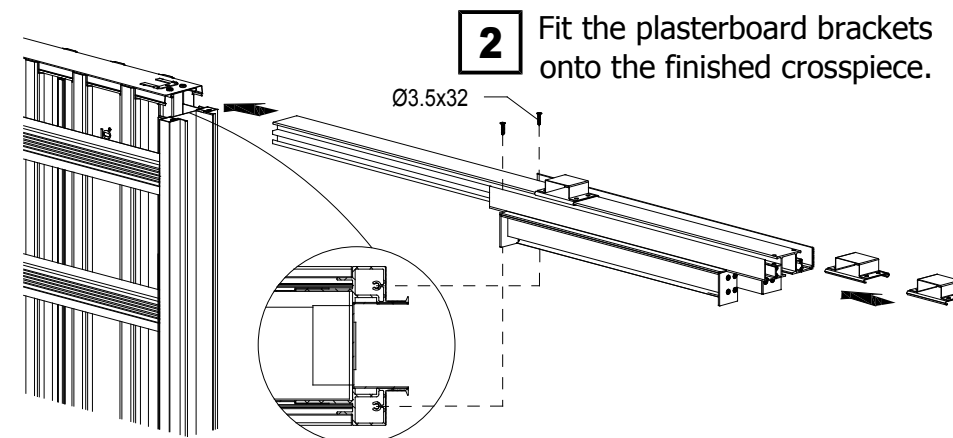


GENERAL OVERVIEW



FRAME ASSEMBLY

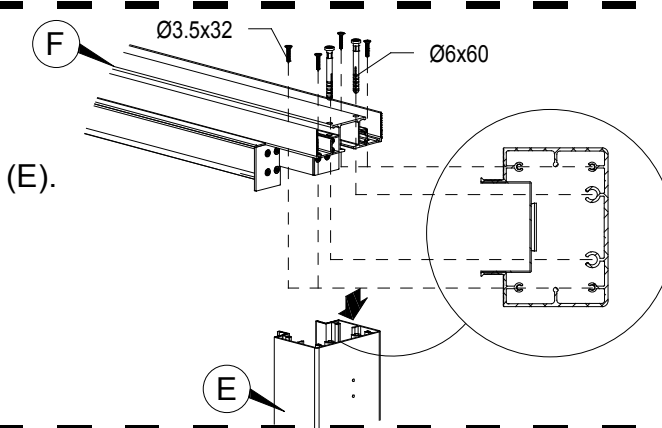
1 Insert the aluminium track into the cassette, then insert the supplied track brackets onto the track.



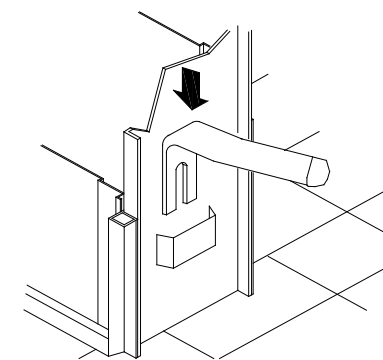
2 Fit the plasterboard brackets onto the finished crosspiece.

2 Tap the plugs through the aluminium track into the pre-drilled holes in the aluminium jamb (E).

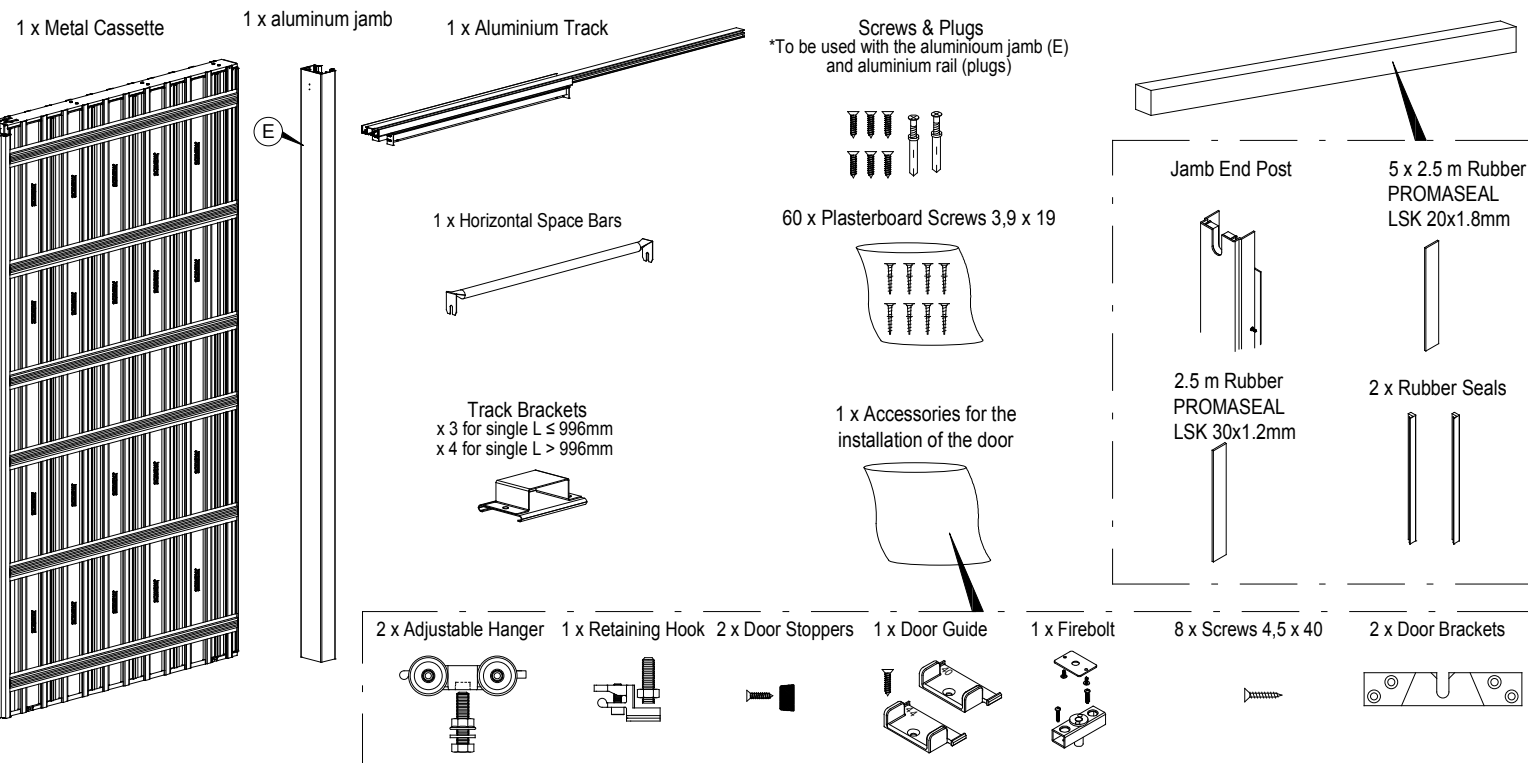
Once in place tighten the screws ensuring a secure fix has been achieved



3 Fit the horizontal spacer bars between the removable protection plate and the aluminium jamb. This will keep the jamb in the correct vertical position.

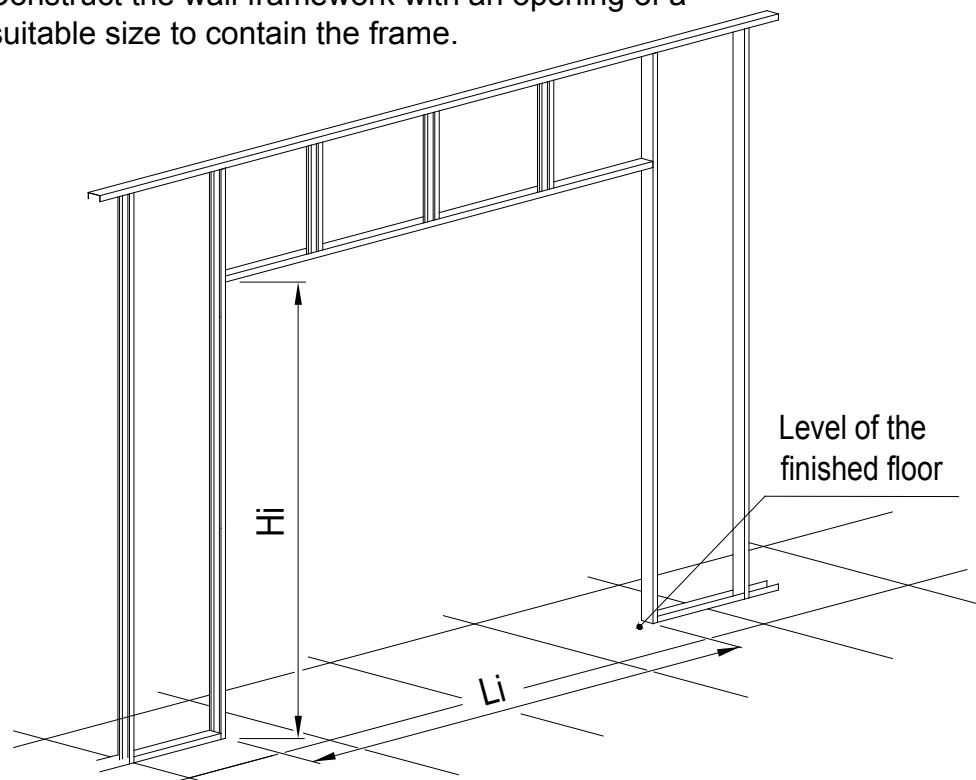


Check the box to ensure you have received all the required components (parts per box):



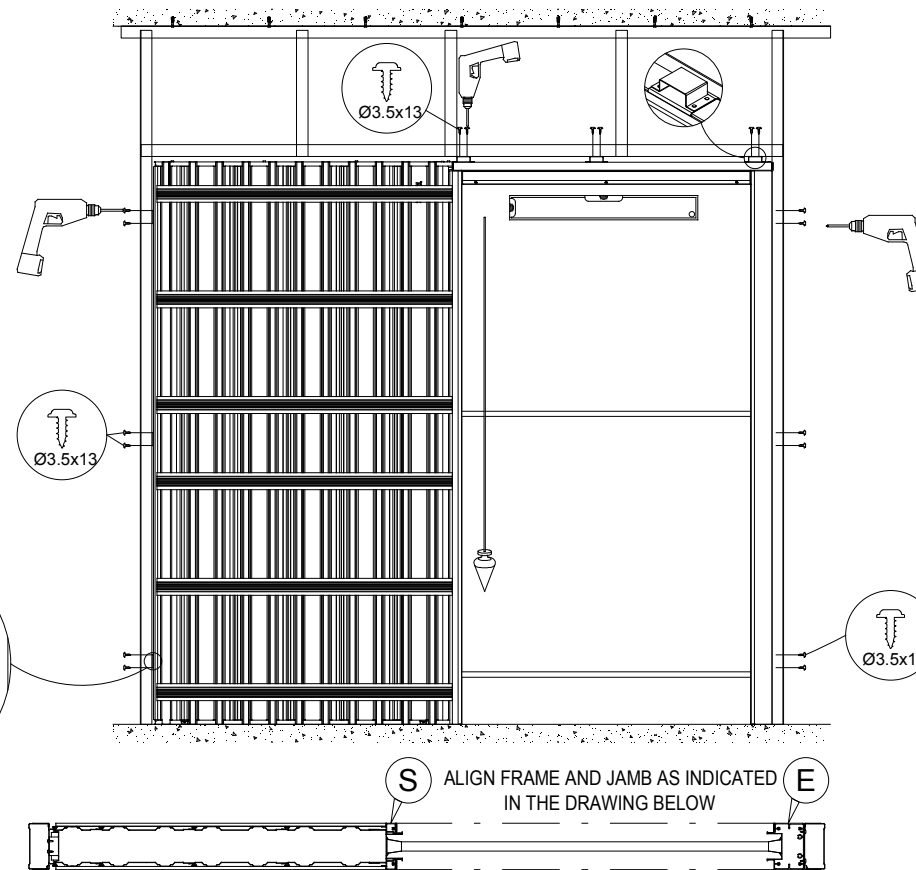
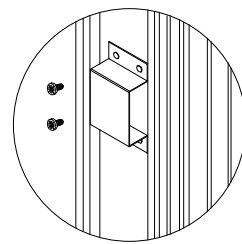
The manufacturer guarantees only the product supplied and its components against manufacturing defects, and declines all liability for improper use in the case of installation that fails to comply with the instructions given or performed incorrectly. The installer must therefore check that the product is complete and undamaged and that it is suitable for the envisaged use. Any defects found must be notified in writing to the retailer. This information given in this document is for descriptive purposes only. The company will not be held responsible for any inaccuracies caused by printing errors, transcription errors or for any other reason, and reserves the right to make modifications, without giving prior notice, for the improvement of its products. The reproduction, including the partial reproduction, of this document is severely prohibited within the terms of the Law.

4 Construct the wall framework with an opening of a suitable size to contain the frame.



The wall must have a higher or equal resistance to fire than to that of the inserted product. Special precautions must be taken for the mechanical resistance on the part of the structure where inserted into the subframe.

5 Position the frame, adjusting it until it is perfectly level and vertical using a spirit level and a plumb line. Align the frame with the wall opening, and check again that it is perfectly level and vertical. Fix the frame with screw along the vertical uprights and to the upper crosspiece



5A Fold out the fixing plates and secure the cassette to the floor. Insert packers to level if required. *Fixings not supplied



PLASTERBOARDING AND PREPARATION

1 Screw the plasterboard sheets to the horizontal mounting plates, using only the supplied screws 3.9x19. Deformed plasterboard sheets must not be used

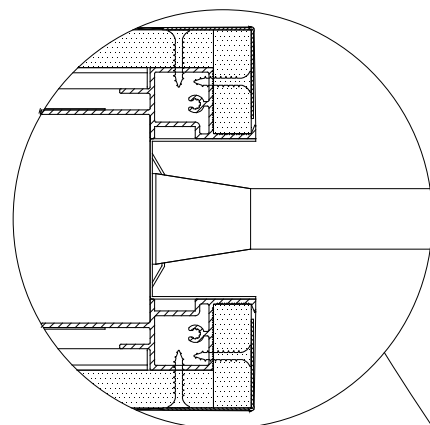
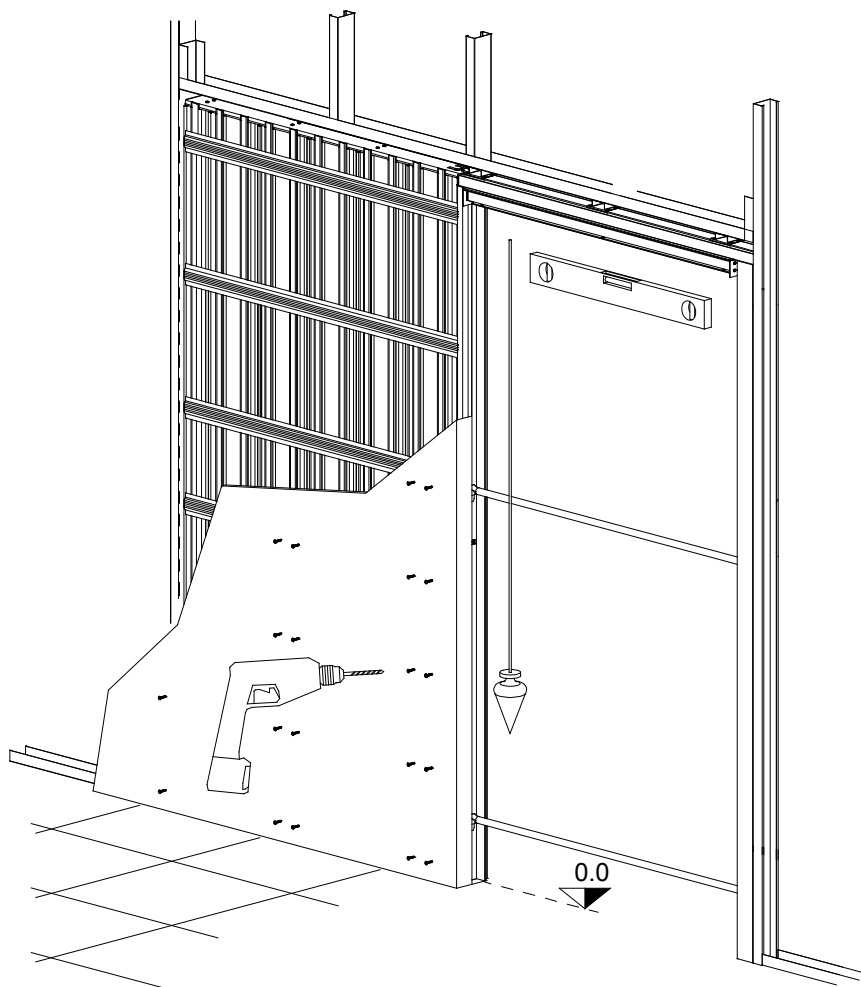
- Ensure screws are only fixed into the horizontal mounting plates
- Avoid Plasterboard sheets finishing along the back vertical edge of the cassette, this will help maximise the strength of the wall
- The plasterboard should rest on top of the aluminium profiles on either side of the aluminium track. This will ensure a neat finish is achieved



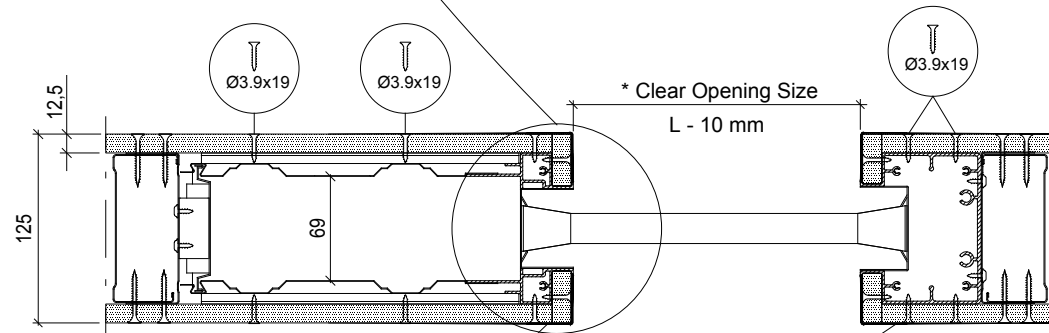
2 The assembly is now ready to be plastered. Once the plasterboard and plaster have been applied the finished wall thickness will be 125mm



ALLOW THE PLASTER TO FULLY DRY . INSTALLING THE DOOR PRIOR MAY CAUSE DAMAGE TO THE PLASTER



* THE EFFECTIVE CLEAR OPENING SIZE IS REDUCED IN WIDTH BY 10 mm



APPLY THE FINE WIRE MESH NEAR THE PROFILES. JOIN THE GAP BETWEEN PROFILES AND WALLS WITH PLASTER.

APPLY THE FINE WIRE MESH NEAR THE PROFILES. JOIN THE GAP BETWEEN PROFILES AND WALLS WITH PLASTER.

THE CROSSPIECES MUST BE REMOVABLE TO PERMIT DOOR INSTALLATION AND ANY NECESSARY ADJUSTMENTS OR MAINTENANCE.

