



Size 2-4



1100mm
(max door width)

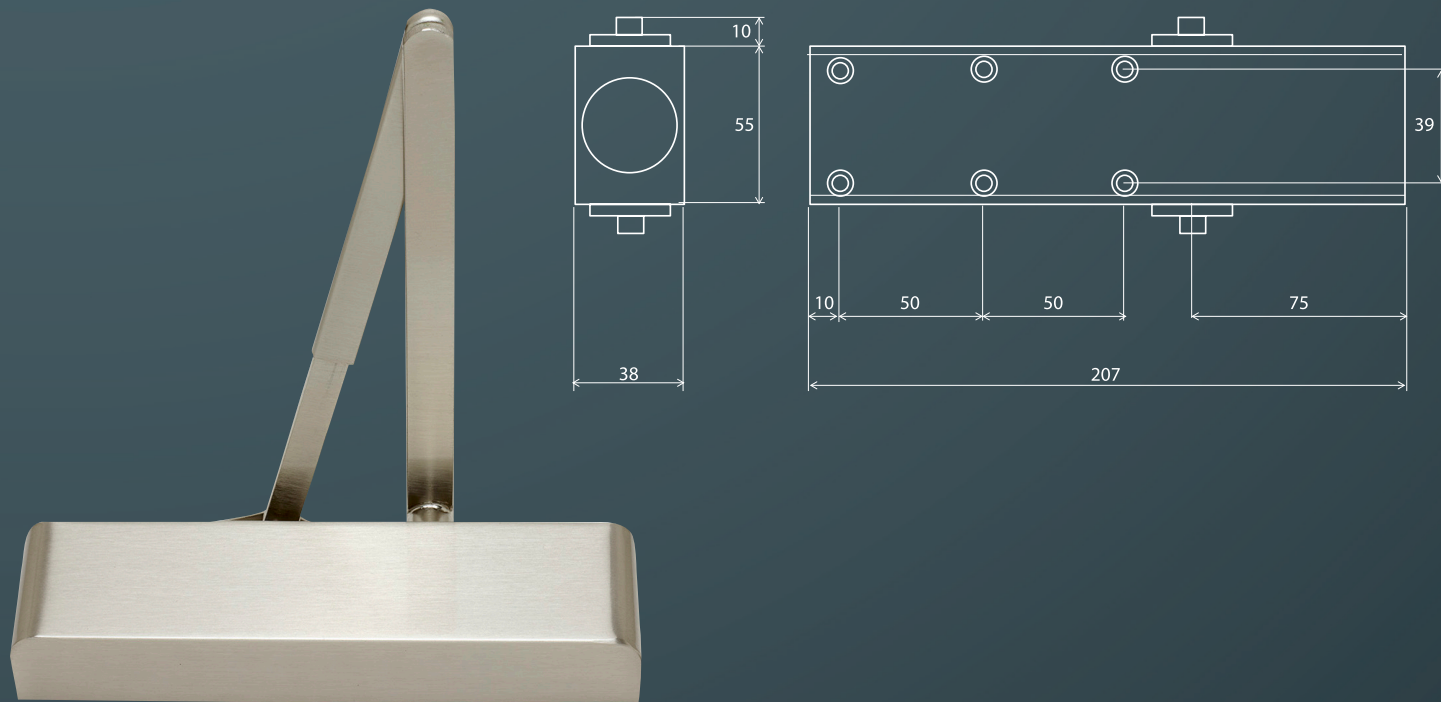


80kg
(max door weight)



25 Years

TS5.224BC - Template Adjustable, c/w Back Check



Product Overview:

An efficient, durable and stylish adjustable power overhead door closer. Suitable for most applications particularly those with constant use which require a backcheck function.

Testing & Standards

- CE marked against EN1154
- Included in successful fire test to EN1634
- Suitable for use on timber fire doors of up to 120 minutes fire resistance
- Certifire approved - refer to CF689 for scope of approval
- Safe in use
- High corrosion resistance

Specification	TS5.224BC	
Closing force (Fig 1)	EN size	2-4
Door size (max)	Width (mm)	1100
	Weight (kg)	80
Door size (min)	Width (mm)	450
	Length (mm)	207
Body dimensions	Height (mm)	55
	Depth (mm)	38
	Application	Pull side fig 1 ✓
Application	Push side fig 66 ✓	
	Transom fig 61 ✓*	
	Mechanism	Rack & pinion ✓
Angle of opening		180°
Non handed		✓
Power adjustment by position		✓
Adjustable sweep speed		✓
Adjustable latch speed		✓
Adjustable back check		✓

Options	TS5.224BC	
Hold-open arm (Not suitable for use on fire doors)		✓*

* these options are not covered by CE

Cover options	TS5.224BC	
Semi-radius		✓
Full-radius		✓
Square		✓

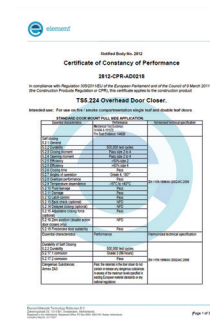
Finish options	TS5.224BC	
Cover & matching sissor arm	SIL	✓
	SSS	✓
	PB	✓
	PSS	✓
	T316	✓
	RAL/Lacquered	✓
	Special plated finishes	✓

Tested to EN1154	TS5.224BC	
------------------	-----------	--

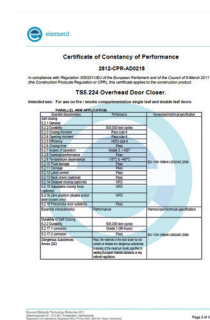
4 8 $\frac{2}{4}$ 1 1 3 - fig.1

3 8 $\frac{2}{4}$ 1 1 3 - fig.66

CE certificate



UKCA certificate



Certifire certificate



Finishes



Cover options

