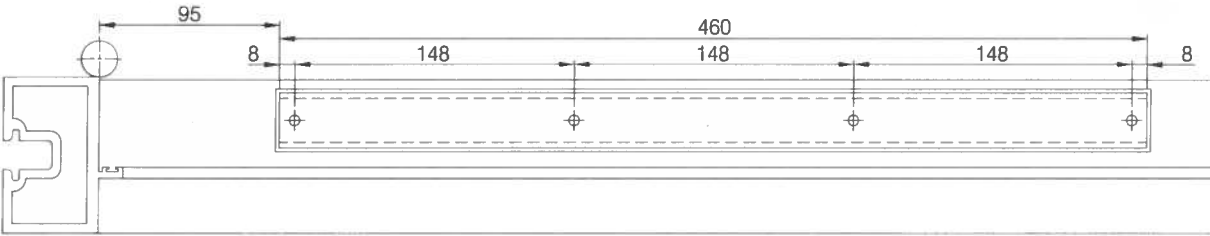
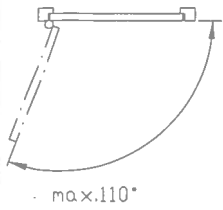
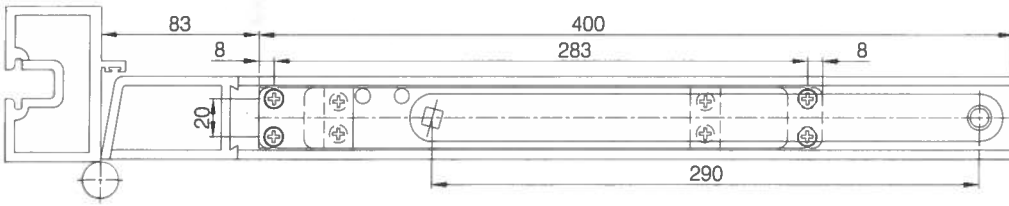
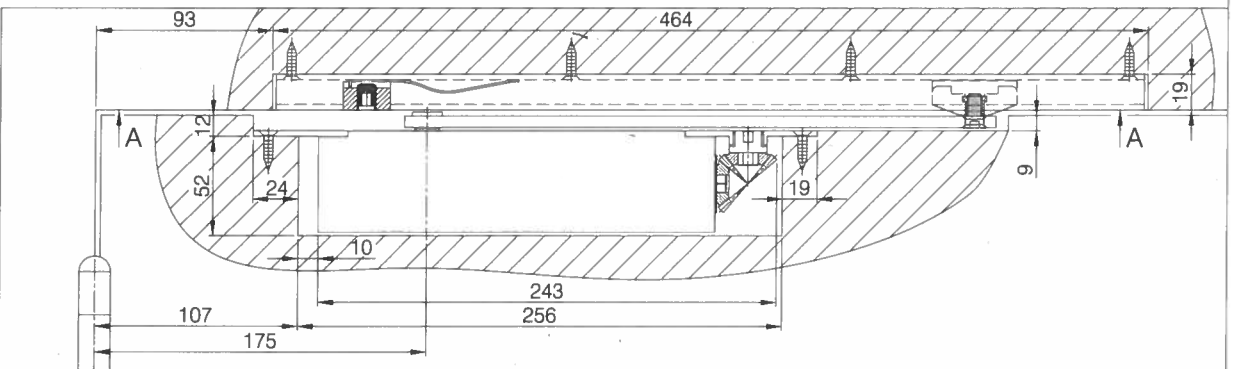
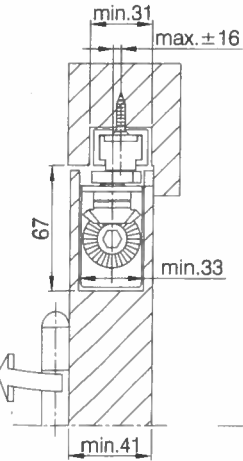


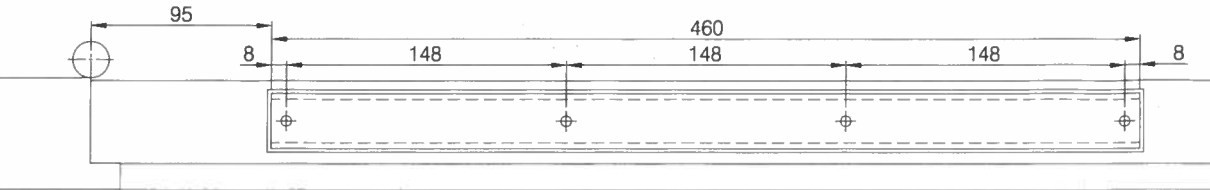
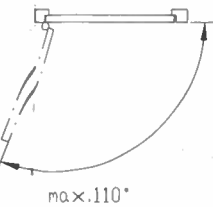
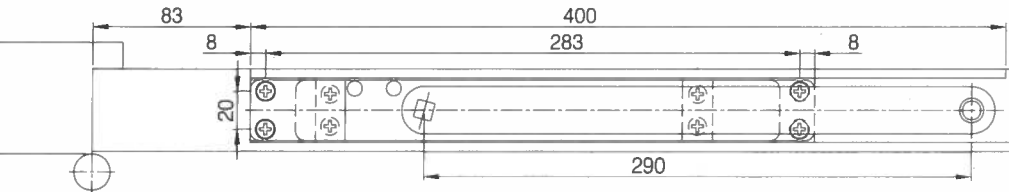
R=5mm



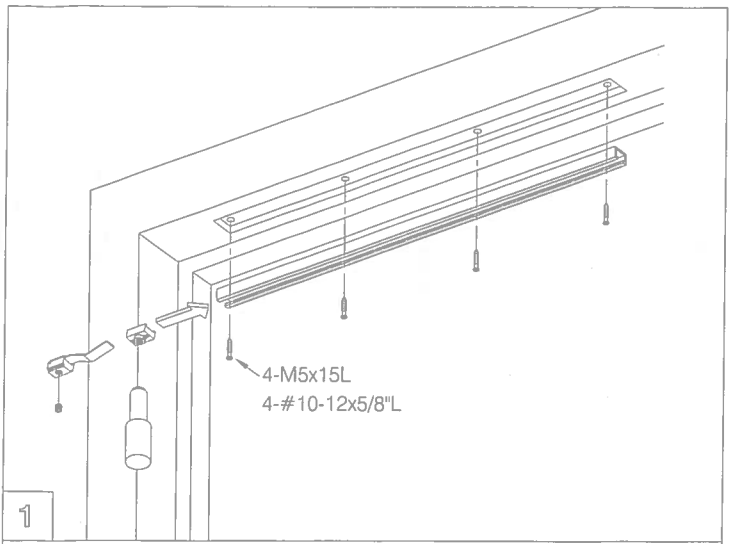
"A-A"



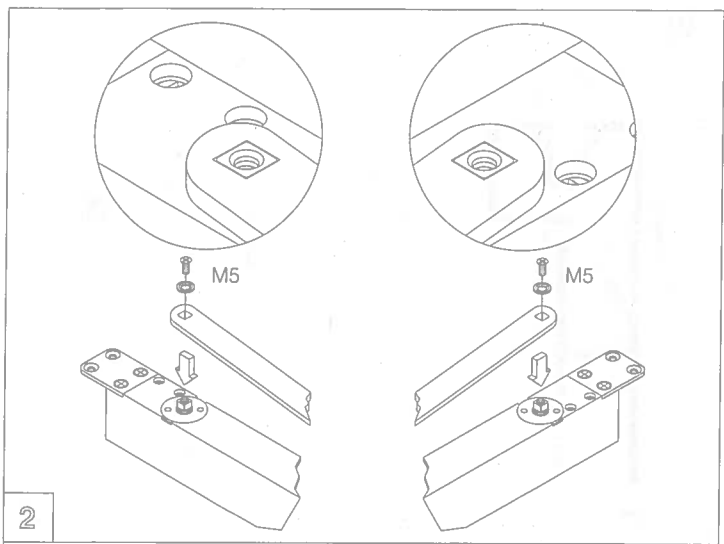
R=5mm



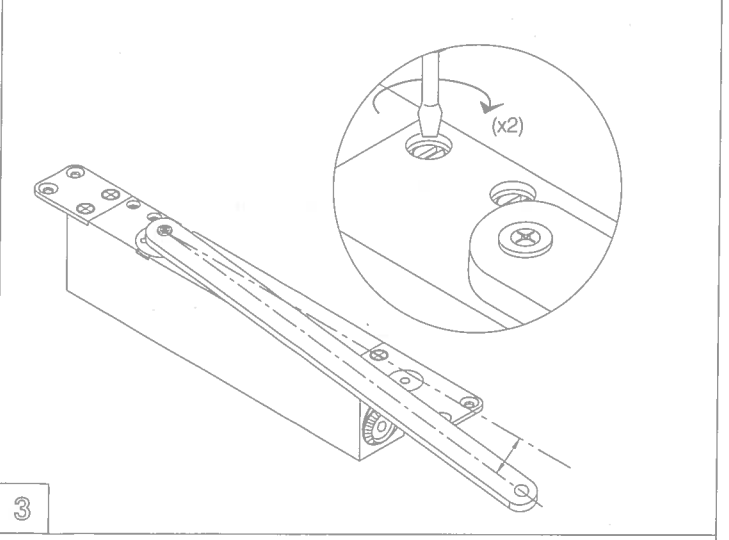
"A-A"



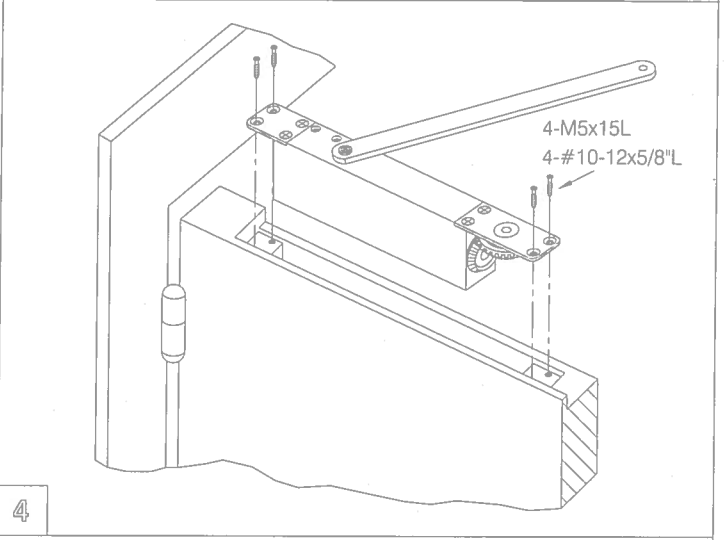
1



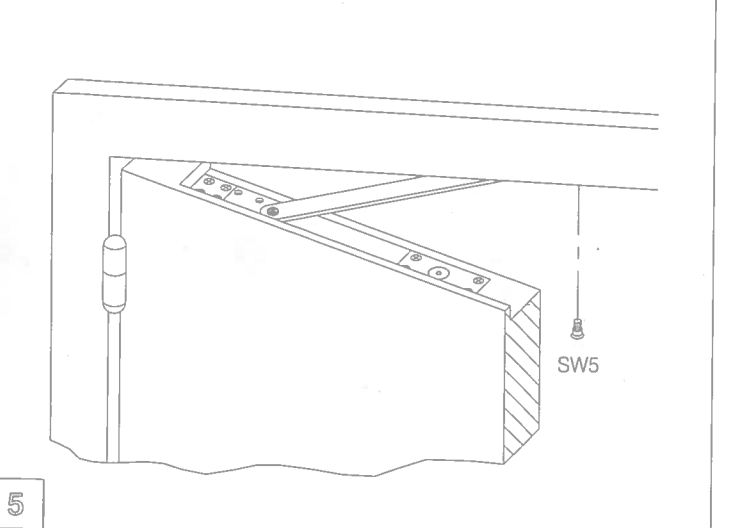
2



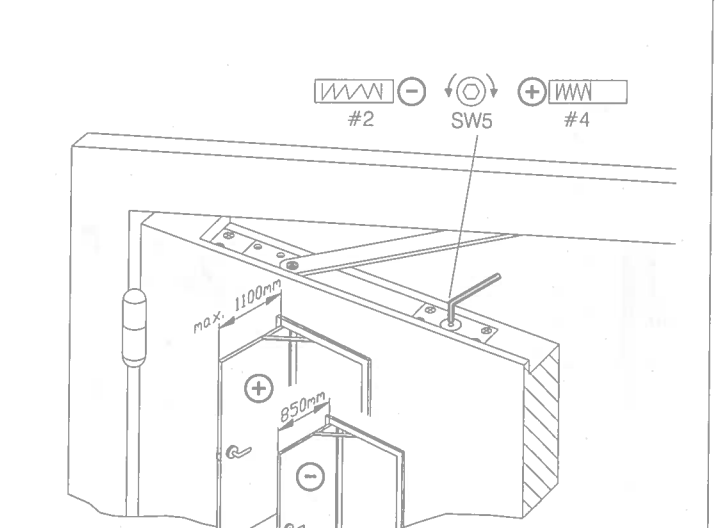
3



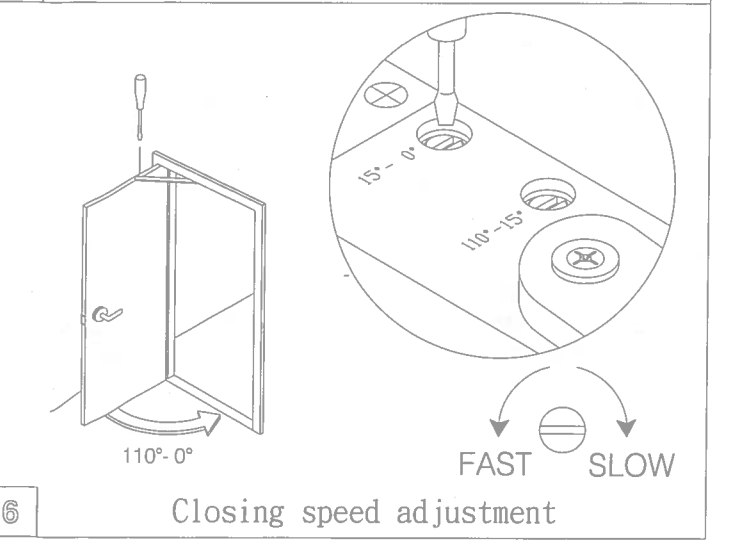
4



5



6



7

Closing speed adjustment

Power adjustment

2-4 MODEL		
NO. OF TURNS	DIRECTION	SIZE
4	-	2
0	*	3
6	+	4

* : FACTORY PRE-SET

7