



Size 2-5



1250mm  
(max door width)

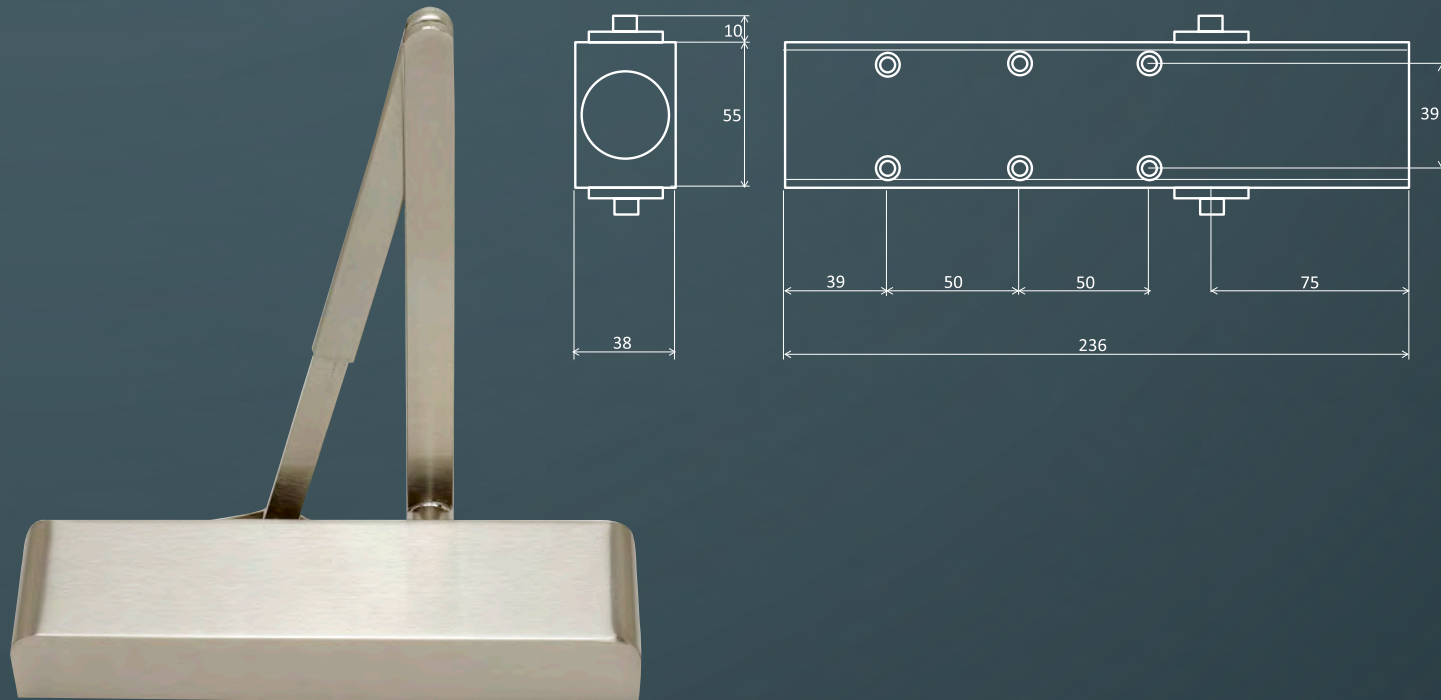


100kg  
(max door weight)



25 Years

## TS5.225DA - Spring Adjustable, c/w Delayed Action



### Product Overview:

- A highly efficient, durable and stylish variable power overhead door closer. Suitable for most applications particularly those with public use.
- Power size 5 in fig.1
- CE/UKCA with delayed action function

### Testing & Standards

- CE Marked EN1154
- UKCA marked EN1154
- Included in successful fire test to EN1634
- Suitable for use on timber fire doors of up to 120 minutes fire resistance and 240 minutes insulated steel doors
- Certifire approved
- Safe in use
- High corrosion resistance

### BS8300 - Approved Document M

The TS5.225 Overhead door closer (Standard fixing position) has an opening force (0-30°) less than 30N when fitted to a minimum width door of 900mm (Fig 1) & 826mm (Fig 6), and has an opening force (30-60°) less than 22.5N when fitted to a minimum width door of 826mm. Therefore the suitable width of door for the TS5.225 Overhead door closer when fitted in the above fixing positions shall be 900mm, Fig 1 & 826mm Fig 6.

Specification	TS5.225DA	
Closing force	EN size	2-5
Door size (max)	Width (mm)	1250
	Weight (kg)	100
Door size (min)	Width (mm)	350
	Length (mm)	236
Body dimensions	Height (mm)	58
	Depth (mm)	38
	Application	Pull side fig 1 ✓ Push side fig 66 * Transom fig 61 ✓*
Mechanism	Rack & pinion	✓
Power shoe bracket		✓
Angle of opening		180°
Non handed		✓
Power adjustment by spring		✓
Adjustable sweep speed		✓
Adjustable latch speed		✓
Adjustable delayed action		✓

Options	TS5.225DA	
Architrave Bracket		✓*
Drop plate		✓*
Hold-open arm (Not suitable for use on fire doors)		✓*
Saddle bracket for glass door installation		✓*
Upstand bracket for over panel or UPVC doors		✓*

\* these options are not covered by CE

Cover options	TS5.225DA	
Semi-radius		✓
Full-radius		✓
Square		✓

Finish options	TS5.225DA	
Cover & matching sissor arm	SIL	✓
	SSS	✓
	PB	✓
	PSS	✓
	T316	✓
	RAL/Lacquered	✓
	Special plated finishes	✓

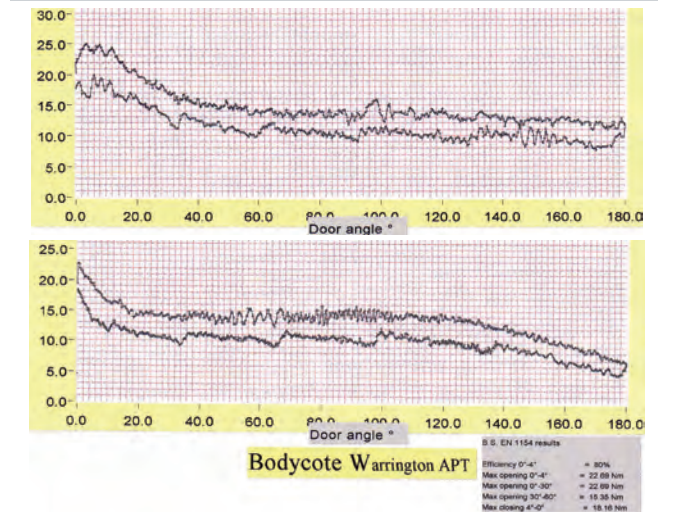
Tested to EN1154	TS5.225DA	
------------------	-----------	--

4 8 2 1 1 3 - fig.1



### BS8300 - Approved Document M TS5.225DA

Meets opening force requirements



### CE certificate



### Finishes



### Certifire certificate



### Cover options



Semi radiused cover  
L:270 x H:69 x D:40mm



Square edged cover  
L:247 x H:70 x D:43mm



Full radiused edged cover  
L:297 x H:70 x D:40mm