

ELECTRO-HYDRAULIC DOOR CLOSER

Fixing instructions

Before marking and drilling holes please note that Spring Power can be increased simply by selecting the fixing position of the closer. See template for details.

Once the door closer has been installed and adjusted no further maintenance should be necessary. However, an annual check should ensure that:

- the door leaf closes freely and positively into its frame from any angle without slamming.
- excessive force is not required by the user to open the door.
- all fixing screws are tight.
- the hexagon bolt is tight.

Testing (before power is supplied)

- Open the door leaf to its maximum opening angle and release. The door leaf should close fully into the door frame and overcome the latch.
- Open the door leaf and rest the latch bolt on the striker plate. Release the door leaf. The door closer should have sufficient power to latch the door leaf closed.

Any failure to close the door into the frame should be investigated. It may indicate that the door closer is undersized or that excessive force is required to close the door due to distortion or misalignment.

Warning This door closer contains a powerful spring which is inserted into the body under pressure. Under no circumstances should attempts be made to dismantle a door closer.

Testing (when power is supplied)

- Open the door leaf to at least 65° (Fig 1. - standard position) and ensure that the door holds open
- Gently pull the door to check that the door can be manually pulled off hold.
- Open the door leaf to the hold position and test the release by activating the alarm system (where applicable) or other emergency power shut down mechanism.

Certifire Conditions of Use

Reference CF155

9000 Series door closers are approved for use with either latched or unlatched doors on:

Timber doors in timber frames **without** perimeter seals for periods of up to 20 mins.

Intumescent sealed in timber frames (ITT) 20 minute to 120 minute door assemblies consisting of either solid timber or timber faced and edged doors (types C, H & I-O).

Intumescent sealed in metal frames (ITM30) 30 minute door assemblies consisting of either solid timber or timber faced and edged doors (types C, H & I-O).

		0 4
1121-CPD-AE0005	EN 1155:1997:+A1:2002	4 8 4 1 1 3

Installation instructions

Projecting Arm / Figure 1.

Fitted to hinge (pull) side of door

CLOSER FITTED WITH SLIDE PLATE AND ENDCAPS

- PLATE SLIDES OVER FRONT OF CLOSER
- END CAPS SNAP IN PLACE

CLOSER FITTED WITH FULL METAL COVER

- SLIDE COVER OVER UNIT AND SECURE WITH SCREWS
- GROMMET SUPPLIED TO FILL UNUSED SLOT

O TO O ESSENTIAL

Clockwise closing - LH Anti clockwise closing - RH

1 Mark out holes use template A

CLOCKWISE INSTALLATION

ANTI CLOCKWISE INSTALLATION

2 Drilling holes

Fixing screws provided are Spax® high performance screws with their unique serrated edge. Pre-drilling of screw holes is not required in most materials.

Spax® high performance screws (supplied)

3 Fix components in position

Anti clockwise closing

Clockwise closing

Installation instructions

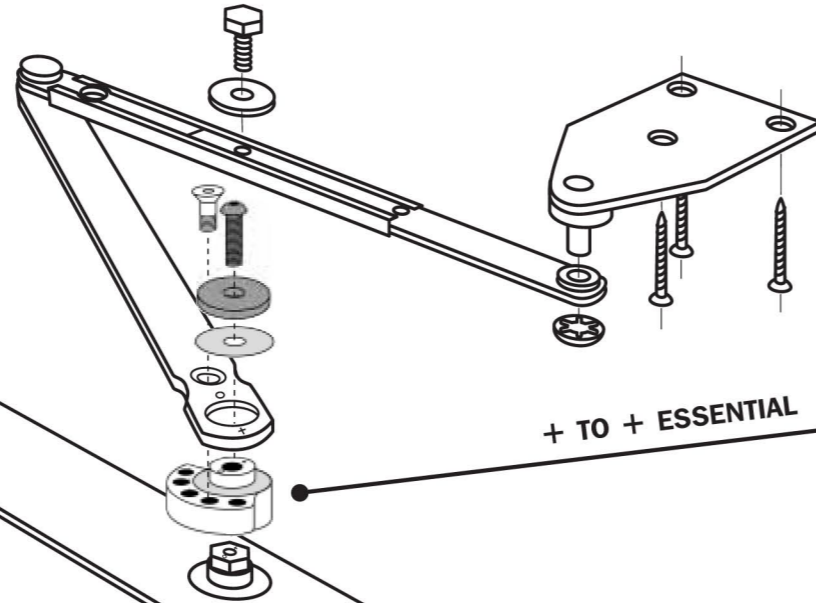
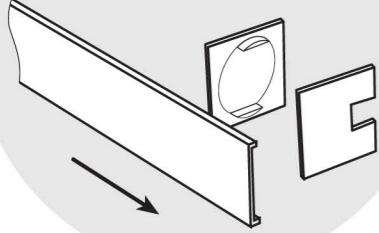
Parallel Arm / Figure 6.

Fitted to door on stop (push) side of door

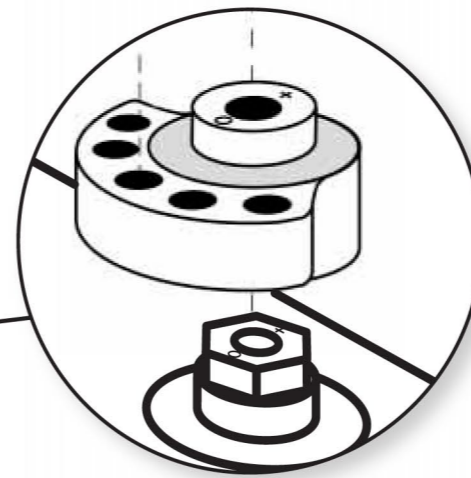


CLOSER FITTED WITH SLIDE PLATE AND ENDCAPS

- PLATE SLIDES OVER FRONT OF CLOSER
- END CAPS SNAP IN PLACE

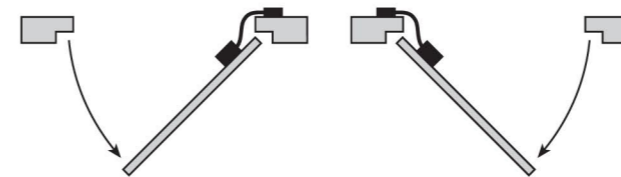


+ TO + ESSENTIAL



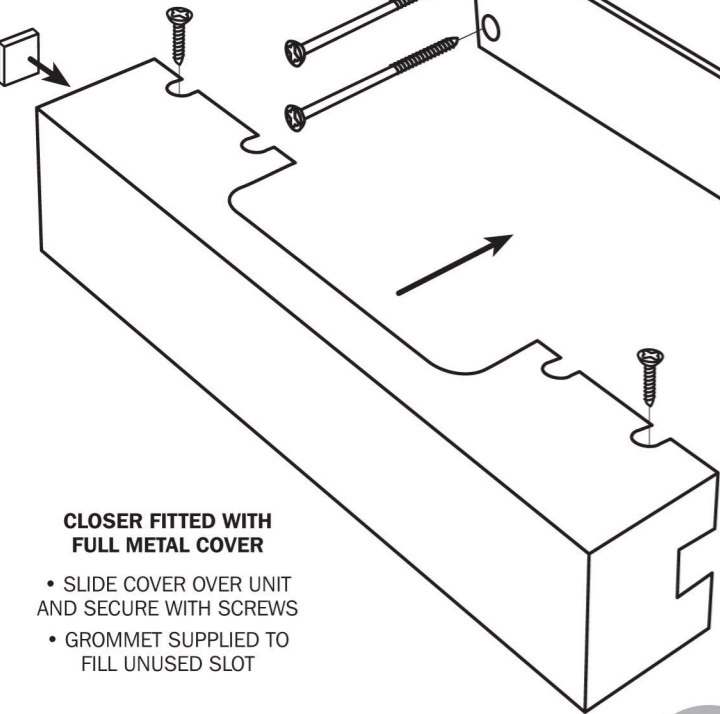
Clockwise closing - LH

Anti clockwise closing - RH



CLOSER FITTED WITH FULL METAL COVER

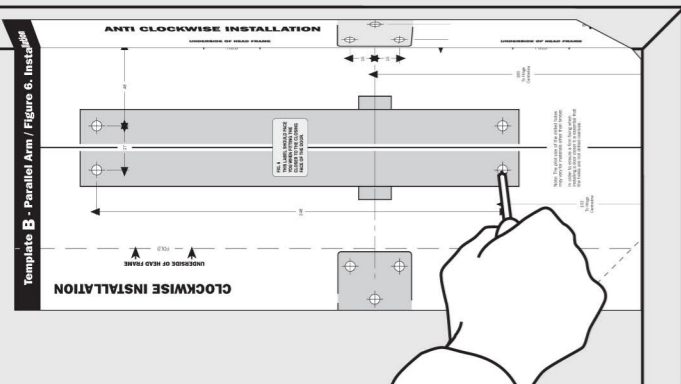
- SLIDE COVER OVER UNIT AND SECURE WITH SCREWS
- GROMMET SUPPLIED TO FILL UNUSED SLOT



Mark out holes

use template B

1



2

Drilling holes

Fixing screws provided are Spax® high performance screws with their unique serrated edge. Pre-drilling of screw holes is not required in most materials.



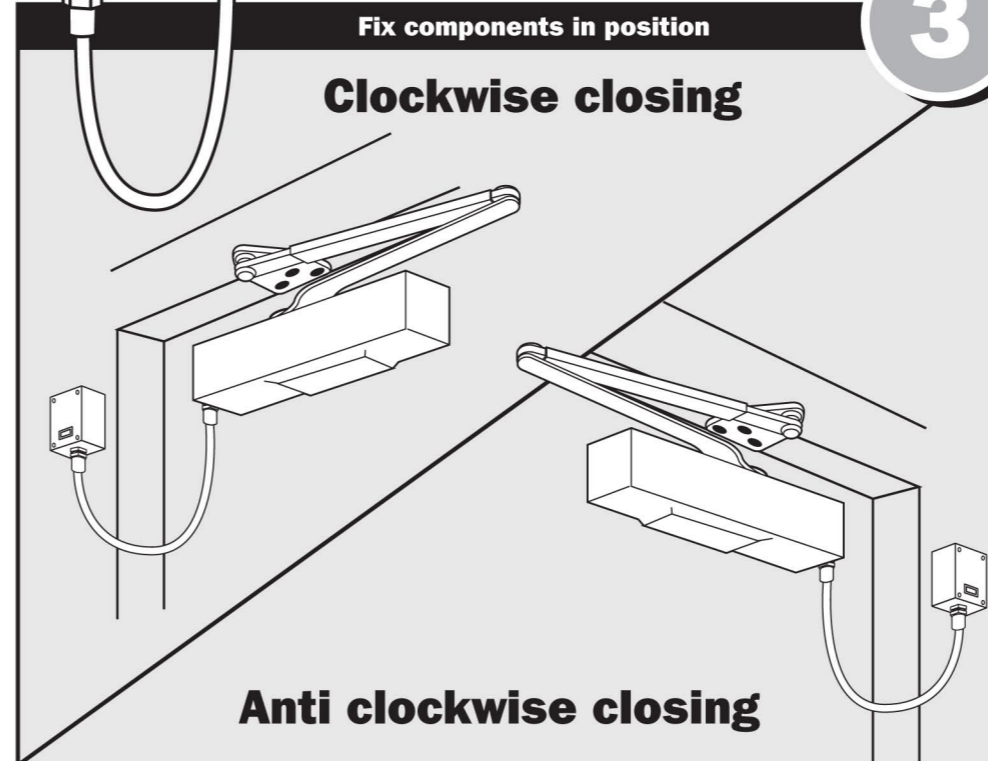
Spax® high performance screws (supplied)



Fix components in position

Clockwise closing

3



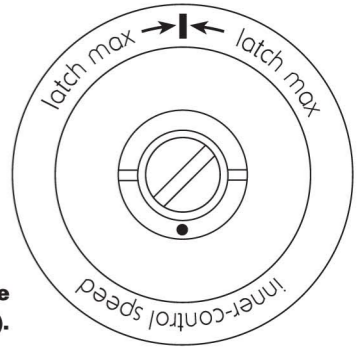
Anti clockwise closing

Closer adjustment

FITTING	HOLD POSITION	POWER SIZE
Fig. 1 Standard	65°	4
Fig. 6	85°	3

Latch Speed - outer control

"Off" as drawn. Rotate 1/2 a turn towards 'latch' to turn "on".



Closing Speed - inner control

Rotate clockwise to reduce closing speed (**Do not open valve past leading edge of outer ring**).

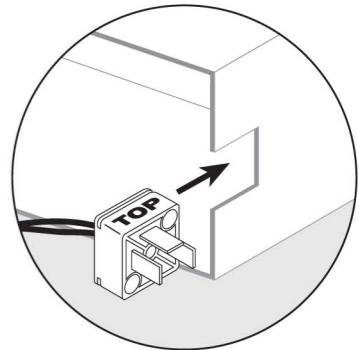
Power Supply

Electro-magnetic door closers are supplied with an exposed armoured loop as standard.

- The loop slots into either end of the closer cover depending on clockwise/anti-clockwise closing.
- A grommet is supplied to fill the unused slot.
- The loop is plugged into the wires from the closer.
- The block should be fixed to the door frame and then connect to an appropriate 24vDC power supply.

Note

Ensure that the block is inserted in the cover in the correct position



For fire doors with moulded architraves of up to 15mm projection, use the special architrave bracket available separately

