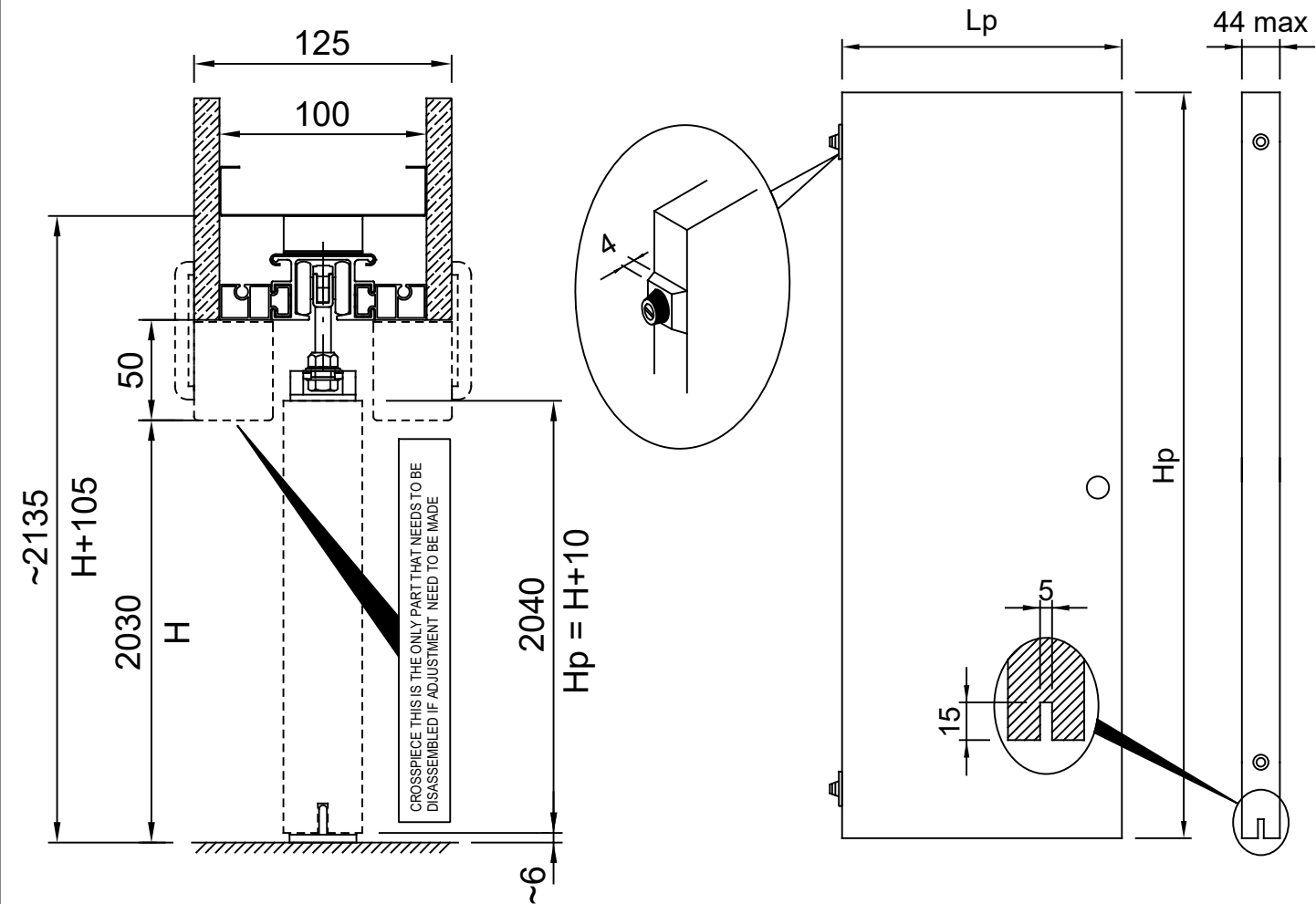


DOOR PANEL

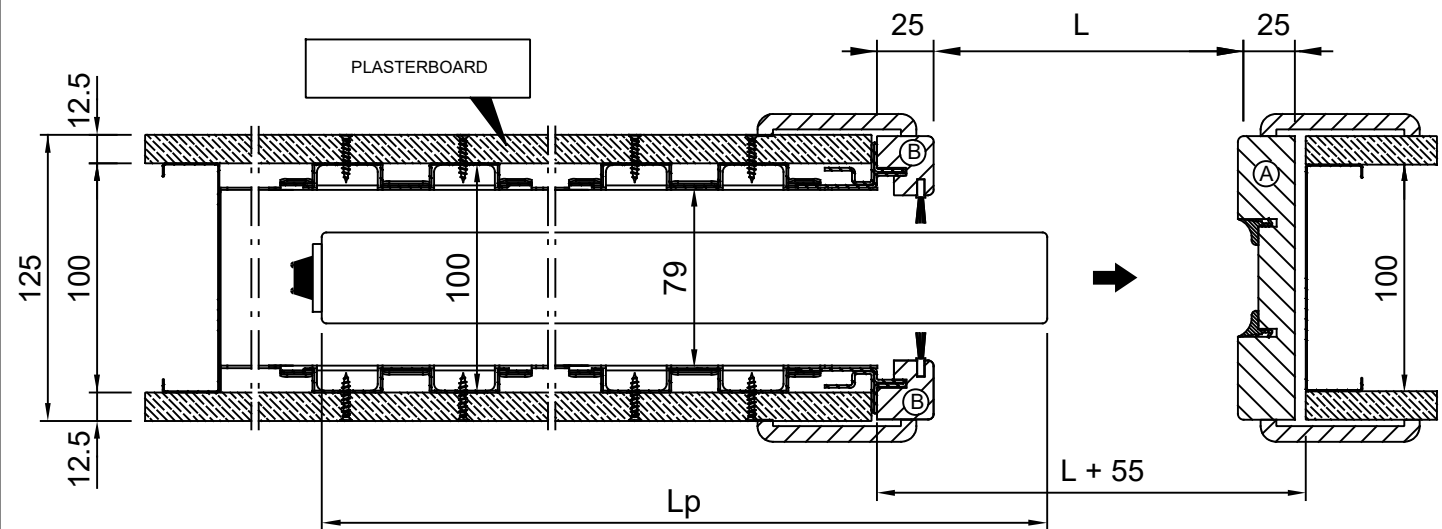


SINGLE DOOR

DOOR SIZE			OPENING SIZE	
Lp	Hp	n°	L	H
mm	mm		mm	mm
626	2040	1	600	2030
726		1	700	
826		1	800	
926		1	900	
1026		1	1000	

DOUBLE DOOR

DOOR SIZE			OPENING SIZE	
Lp	Hp	n°	L	H
in / mm	in / mm		mm	mm
626	2040	2	1200	2030
726		2	1400	
826		2	1600	
926		2	1800	
1026		2	2000	

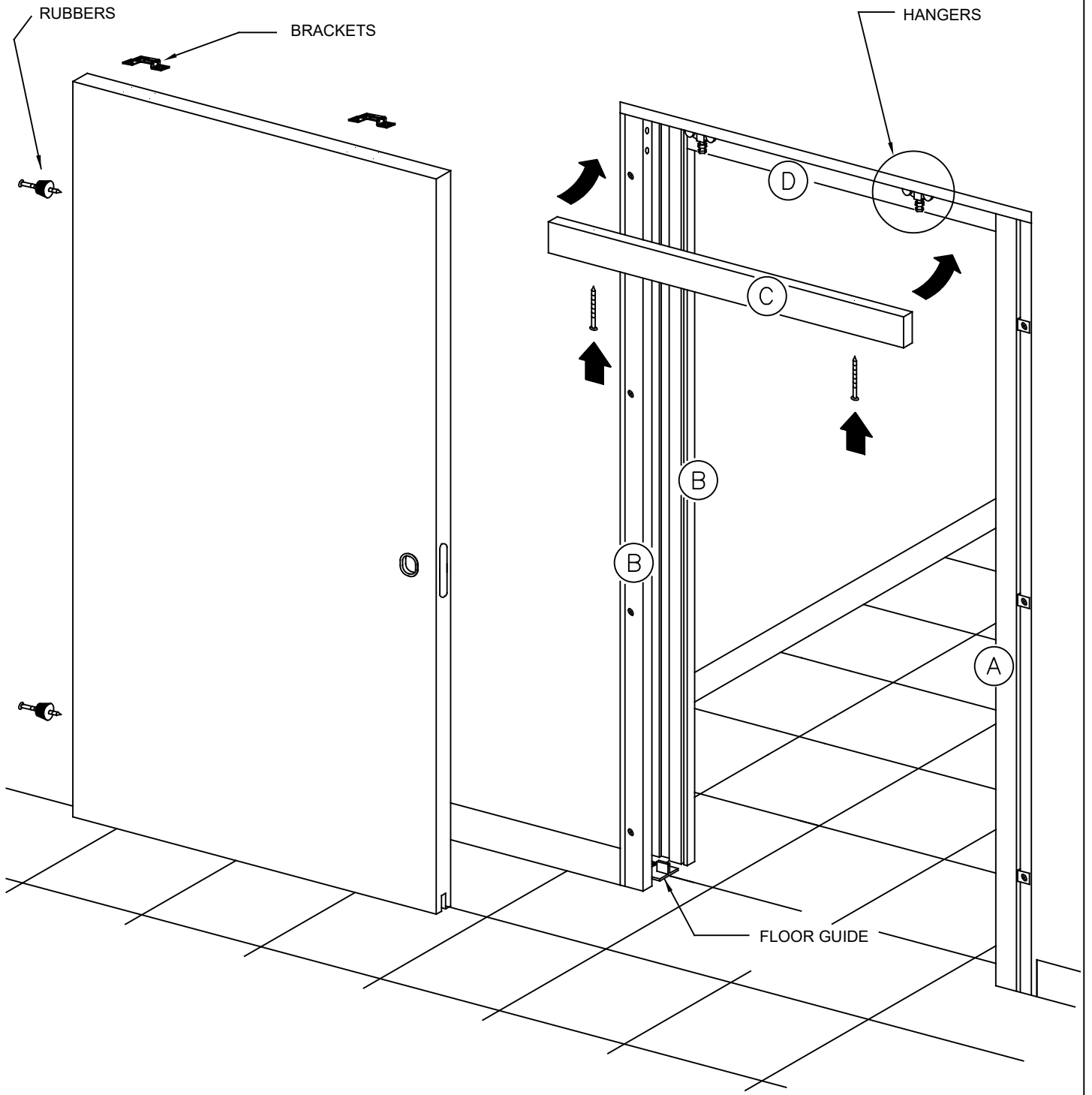


# Scrignokit

Door installation instructions  
METRIC SIZE

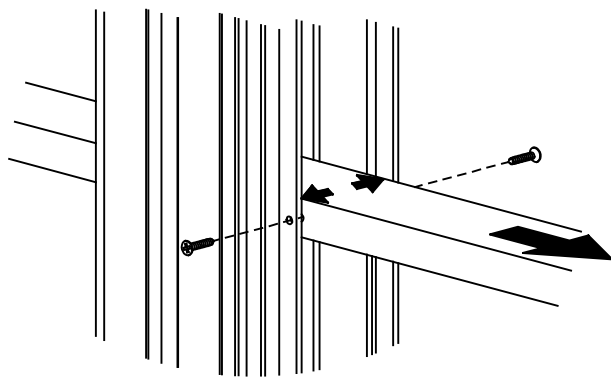
125

UK  
METRIC

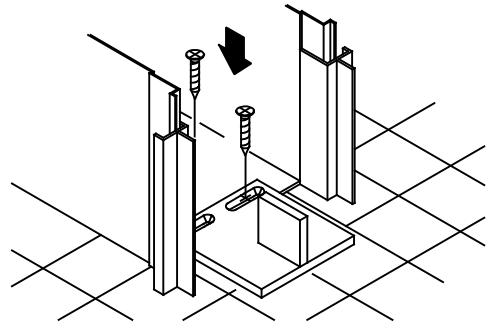


The information given in this document is for descriptive purposes only. SCRIGNO S.p.A. will not be held responsible for any inaccuracies caused by printing errors, transcription errors or for any other reason, and reserves the right to make modifications, without giving prior notice, for the improvement of its products. The reproduction, including the partial reproduction, of this document is severely prohibited within the terms of the Law.

**SCRIGNO**  
Scrigno SpA | scrigno.net  
via Casale Sant'Ermete 975  
47822 Santarcangelo di Romagna (RN)  
ph. + 39 0541 757711  
fax + 39 0541 757780  
scrigno@scrigno.it

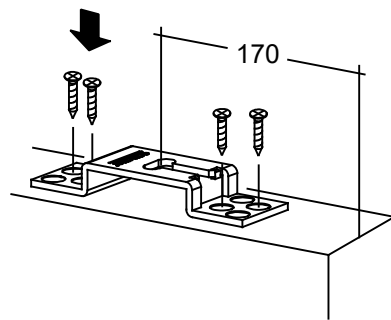
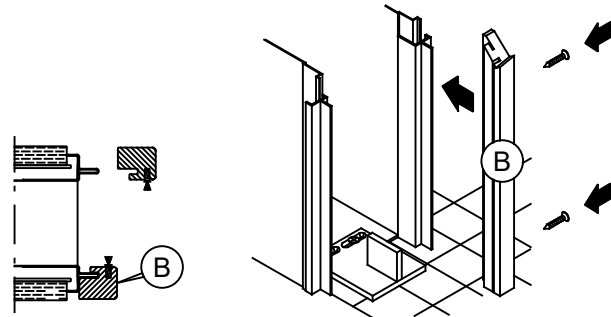


REMOVE THE SCREWS AND THE INSTALLATION SPACER.



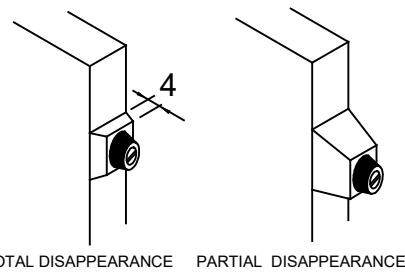
FIX FLOOR GUIDE USING SCREWS 4.2X9.5. IF THE FRAME IS NOT AT THE SAME LEVEL OF THE FLOOR USE THE SUPPLIED SPACER FOR THE FLOOR GUIDE AND IN THIS CASE USE SCREWS 4.2X19.

FIT JAMB "B" ON THE BOX FRAME AS SHOWN. IT IS HELPFUL TO DRILL THE METAL SHEET BEFORE SECURING WITH THE SELF TAPPING SCREWS.

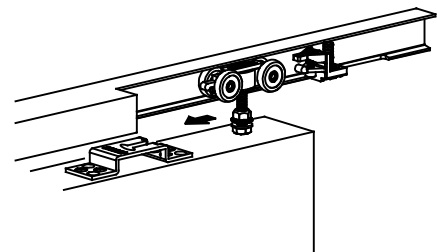


FIX THE BRACKETS, WHICH SUPPORT THE HANGERS, TO THE TOP OF THE DOOR AT 170 mm AS SHOWN IN THE DRAWING WITH 4.5X25 SCREWS. IT IS IMPORTANT THAT THE SLOT FOR HANGER HOOKING IS TOWARDS THE FRONT SIDE OF THE DOOR.

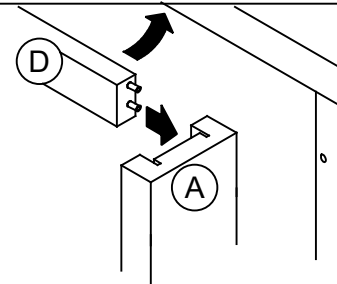
FIT THE RUBBER ON TO A 4 mm THICKNESSES ON THE REAR EDGE OF THE PANEL FOR A TOTAL DISAPPEARANCE OF THE DOOR. FOR A PARTIAL DISAPPEARANCE OF THE DOOR, FIX A TIMBER SPACER BETWEEN THE RUBBER AND THE EDGE OF THE DOOR, AS SHOWN.



TOTAL DISAPPEARANCE PARTIAL DISAPPEARANCE



SLOT THE HANGERS INTO THE SLIDING TRACK AND THE RETAINING HOOK FIT THE DOOR PANELS TO THE HANGERS AND FIX THE SLIDING.

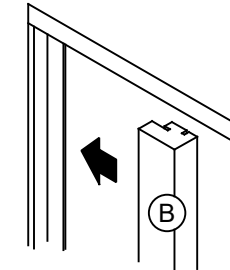


SLOT CROSS PIECE "D" TO THE ALREADY FITTED JAMB "B", FIX IN JAMB "A", CHECK HIS VERTICAL POSITIONS AND FASTEN TO THE FRAME.

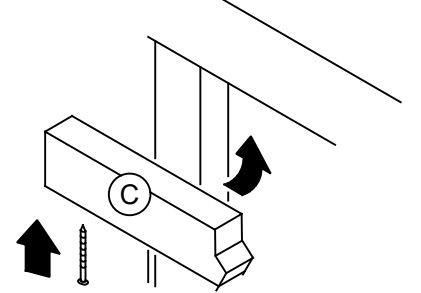
125

UK  
METRIC

FIX THE REMAINING JAMB "B"



FIT CROSS PIECE "C" SO THAT IT CAN BE EASILY REMOVED FOR ADJUSTMENT OR ROUTINE MAINTENANCE PURPOSES.



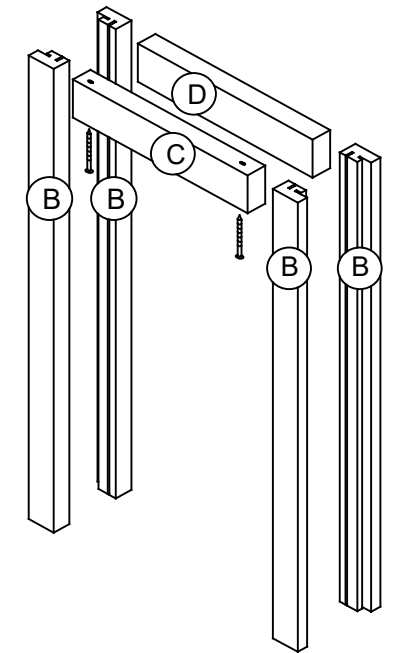
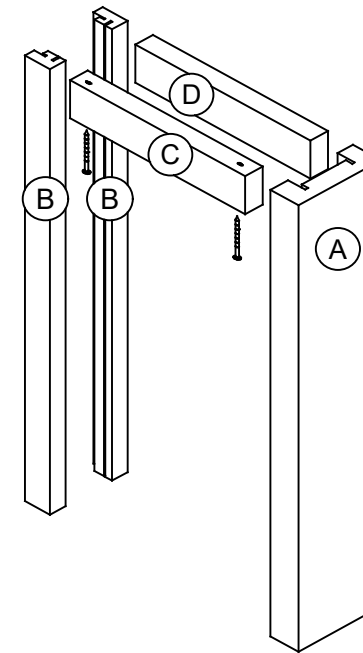
## DOOR POSTS

### SINGLE DOOR

DOOR SIZE		OPENING SIZE	END POSTS SIZE					
Lp x Hp		L x H	A		B		C / D	
mm	n°	mm	mm	n°	mm	n°	mm	n°
626 x 2040	1	600 x 2030	2080	1	2080	2	600	1+1
726 x 2040		700 x 2030					700	
826 x 2040		800 x 2030					800	
926 x 2040		900 x 2030					900	
1026 x 2040		1000 x 2030					1000	

### DOUBLE DOOR

DOOR SIZE		OPENING SIZE	END POSTS SIZE					
Lp x Hp		L x H	B		C / D			
mm	n°	mm	mm	n°	mm	n°	mm	n°
626 x 2040	2	1200 x 2030	2080	4	2080	2	1200	1+1
726 x 2040		1400 x 2030					1400	
826 x 2040		1600 x 2030					1600	
926 x 2040		1800 x 2030					1800	
1026 x 2040		2000 x 2030					2000	



FINISHED WALL 125 mm

