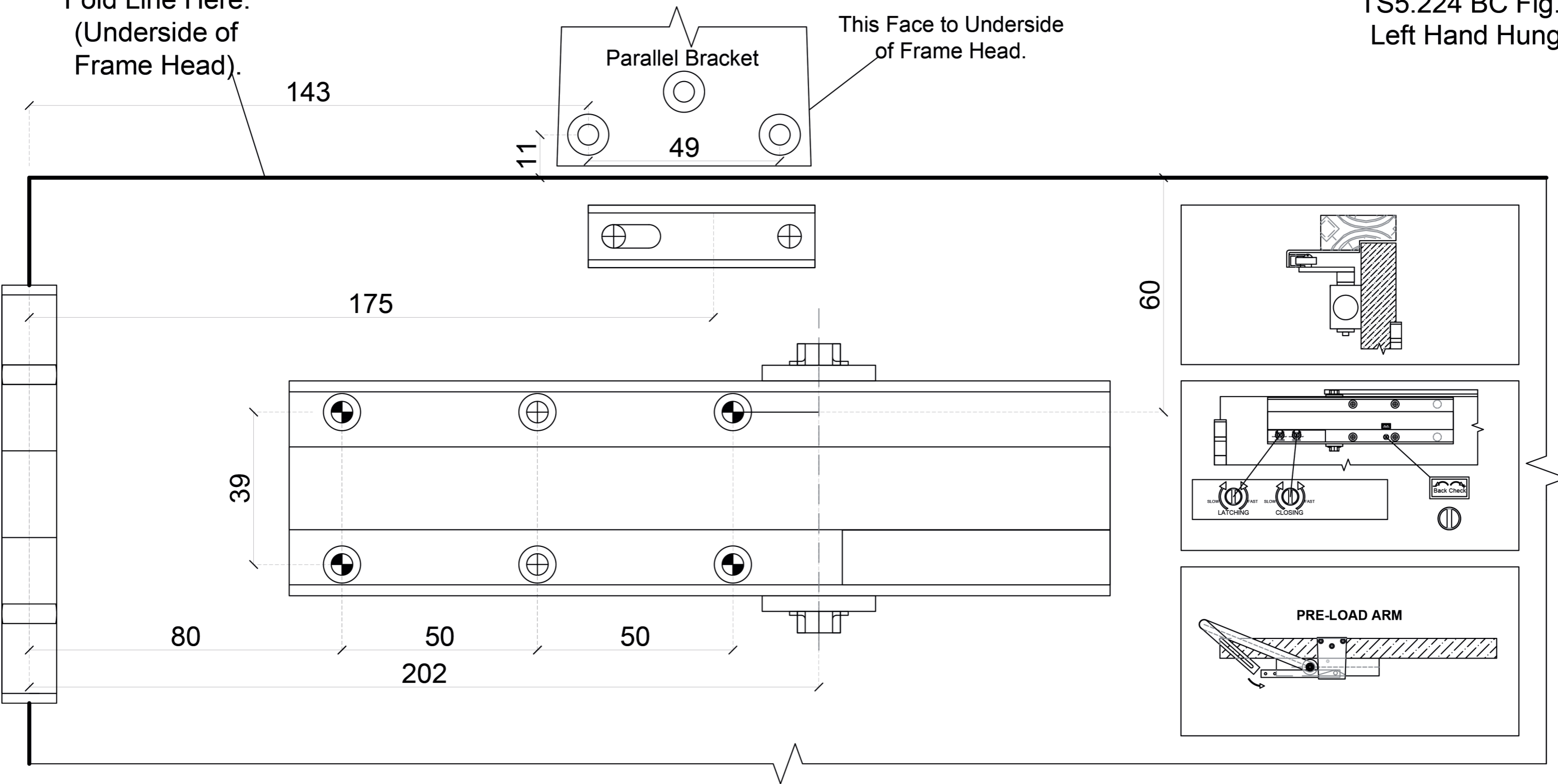


Fold Line Here.
(Underside of
Frame Head).

This Face to Underside
of Frame Head.



This Template Covers Regular Parallel Arm Installation to 105°

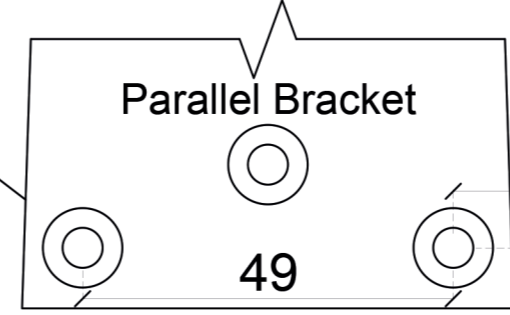
EN1154		
Door Closer Power Size	Recommended Door Leaf Width Max mm	Test Door Mass (Kg)
1	750mm	20 Kg
2	850mm	40 Kg
3	950mm	60 Kg
4	1100mm	80 Kg
5	1250mm	100 Kg
6	1400mm	120 Kg



TS5.224 BC Fig. 6
Right Hand Hung.

This Face to Underside
of Frame Head.

Fold Line Here.
(Underside of
Frame Head).



143

11

60

175

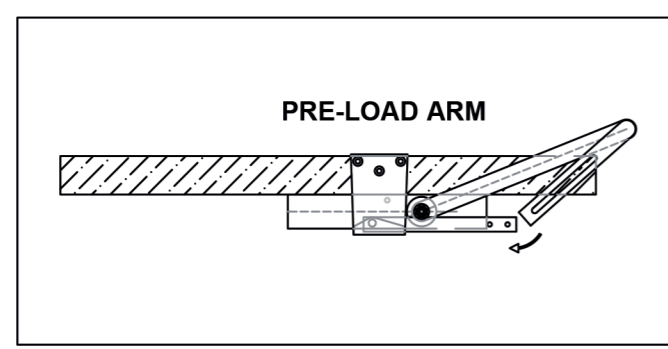
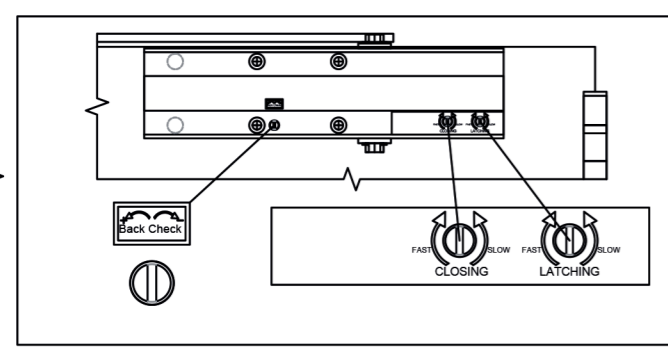
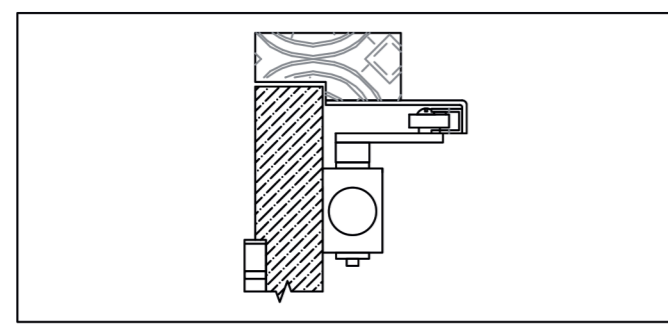
39

50

50

80

202



This Template Covers Regular Parallel Arm Installation to 105°

EN1154		
Door Closer Power Size	Recommended Door Leaf Width Max mm	Test Door Mass (Kg)
1	750mm	20 Kg
2	850mm	40 Kg
3	950mm	60 Kg
4	1100mm	80 Kg
5	1250mm	100 Kg
6	1400mm	120 Kg

