

VISTA SMP

underfloor swing door operator

Concealed automatic door operator, enhancing the building entrance



The vista door operator is the innovative way to maintain the design of your entrance without bulking transoms and frame sections. The Vista range compliments both internal and external doors and can operate both single and double doorset's, inward or outward opening.

Each operator consists of one infloor unit and control panel (double door sets will have one control panel controlling both doors). A stainless steel floor plate allows a high quality finish to the threshold area.

- Can be operated via Radar sensor, push pad, access control system, intercom, BMS, biometric, post activation or key switch.
- Integrates with timber, aluminium, steel and AP glass doors
- Compatible with all EN16005 swing door safety sensors
- Electric locking
- Power open and closed

- Programmed using the Label Digital Selector
(Can be left on site for customer operation selection)
- Multi level password protected
- Full fault diagnosis
- Multi Line step-by-step instructions.



Stainless steel cement box with coverplate

525mm x 130mm x 135mm (LxWxD)



Manufacturers & Suppliers to the Automatic Door Industry

Label UK Automatic Door Solutions Limited

Faraday Drive, Bridgnorth
Shropshire, England WV15 5BQ

Phone: 01746 768227 Fax: 01746 767565
Email: sales@labeluk.com www.labeluk.com

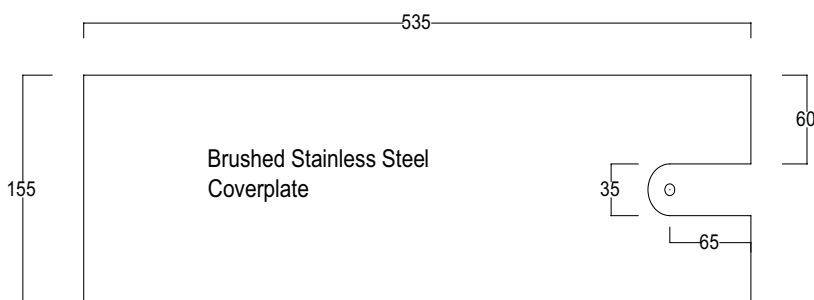
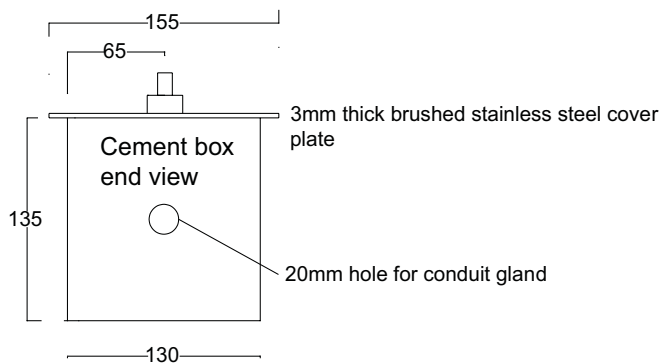
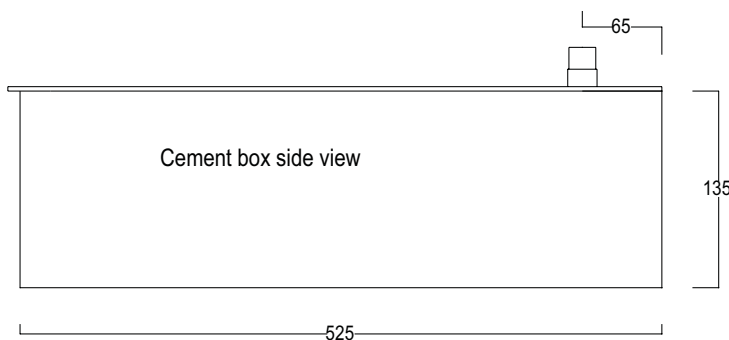
Reg Office: as above Reg in England No: 2940676 VAT Reg No: GB 648 5668 84
Chairman: Giovanni Maestri Directors: Julian Lendrum, Tim Aitken

VISTA SMP

underfloor swing door operator

DIMENSIONS

- Cement box - 525mm x 130mm x 135mm (LxWxD)
- Pivot point - 65mm from back of box
- Floor cut out - 580mm x 190mm x 140mm (LxWxD)



CAPABILITY

- Max door leaf size – 2.45m² External (Internal doors by project evaluation)
- Max leaf weight – 150kg External (Internal doors by project evaluation)

ACCREDITATION

- Max door leaf size – 2.45m² External (Internal doors by project evaluation)
- Max leaf weight – 150kg External (Internal doors by project evaluation)

OPTIONAL EXTRAS AVAILABLE:

- Standard mounting cradle
- Fully adjustable threshold mounting cradle for pairs (1200 – 2000mm)
- Spindles - extensions 13mm – Std
- Spindles - extensions 18mm
- Spindles - extensions 23mm
- Spindles - extensions 28mm
- Satin Stainless steel cover plate
- Stainless steel cover screw set
- Digital programmer

Manufacturers & Suppliers to the Automatic Door Industry

Label UK Automatic Door Solutions Limited

Faraday Drive, Bridgnorth
Shropshire, England WV15 5BQ

Phone: 01746 768227 Fax: 01746 767565
Email: sales@labeluk.com www.labeluk.com

Reg Office: as above Reg in England No: 2940676 VAT Reg No: GB 648 5668 84
Chairman: Giovanni Maestri Directors: Julian Lendrum, Tim Aitken