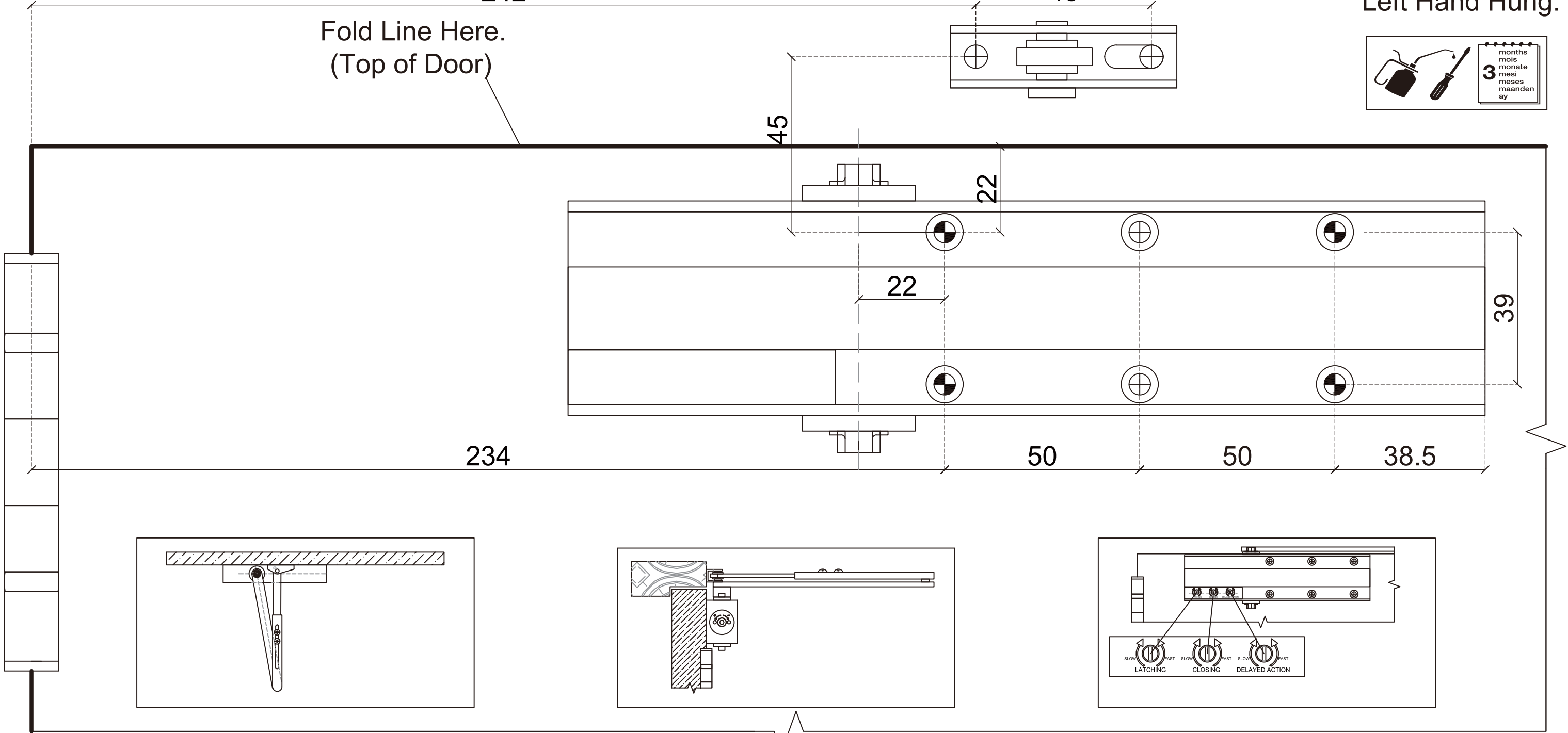
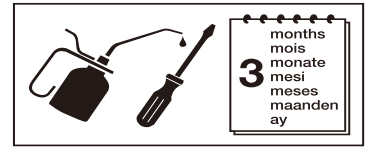


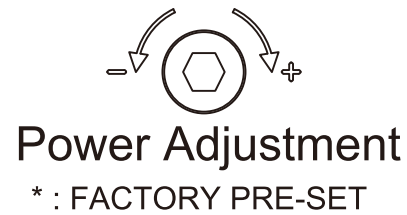
242

Fold Line Here.  
(Top of Door)

Left Hand Hung.



2-5 Model		
N° of Turns	Direction	Size
5	-	2
0	*	3
5	+	4
9	+	5



This Template Covers Regular Arm Installation to 180°

EN1154		
Door Closer Power Size	Recommended Door Leaf Width Max mm	Test Door Mass (Kg)
1	750mm	20 Kg
2	850mm	40 Kg
3	950mm	60 Kg
4	1100mm	80 Kg
5	1250mm	100 Kg
6	1400mm	120 Kg

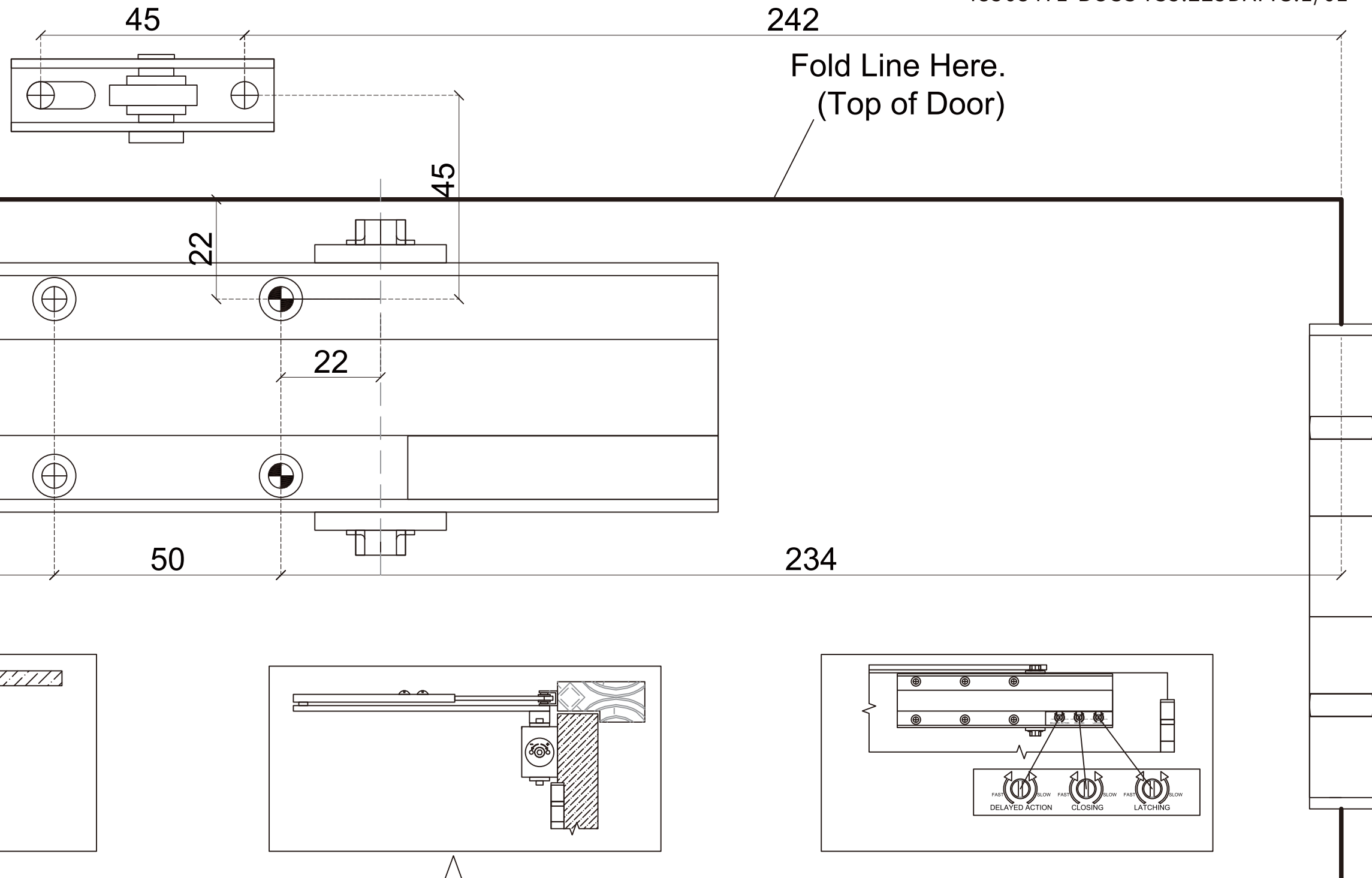
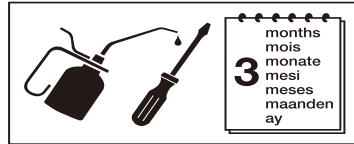


APPROVED PRODUCT  
CF689

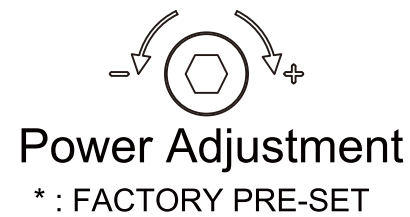


CE 2812-CPR	Boss Door Controls Ltd 3-4 Rutherford Square Buncefield Industry Park Livingston EN54 9BU Scotland	TS5.225		CF689	UK 1121-CPR					
AD0217	22	FIG 1 EN 1154:1996+A1:2002	4	8	2	1	1	3	AD - UK AD8021	22
		FIG 6 EN 1154:1996+A1:2002	3	8	2	1	1	3		

Right Hand Hung.



2-5 Model		
N° of Turns	Direction	Size
5	-	2
0	*	3
5	+	4
9	+	5



This Template Covers Regular Arm Installation to 180°

EN1154		
Door Closer Power Size	Recommended Door Leaf Width Max mm	Test Door Mass (Kg)
1	750mm	20 Kg
2	850mm	40 Kg
3	950mm	60 Kg
4	1100mm	80 Kg
5	1250mm	100 Kg
6	1400mm	120 Kg



APPROVED PRODUCT  
CF689



CE 2812-CPR	Boss Door Controls Ltd 3-4 Rutherford Square Buncefield Industry Park Livingston EN54 9BU Scotland	TS5.225		CF689	UK 1121-CPR					
AD0217	22	FIG 1 EN 1154:1996+A1:2002	4	8	2	1	1	3	AD - UK AD8021	22
		FIG 6 EN 1154:1996+A1:2002	3	8	2	1	1	3		