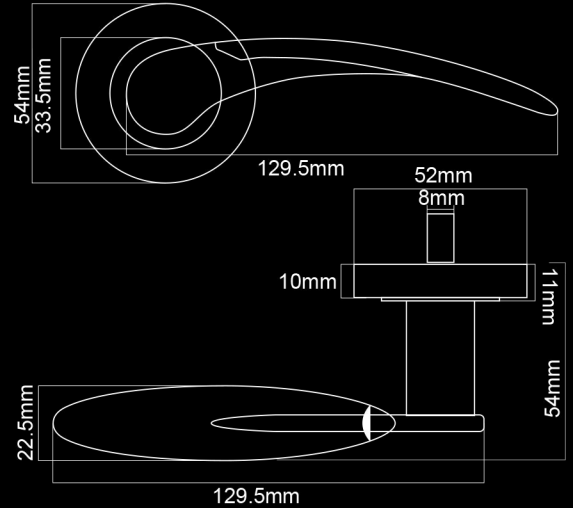
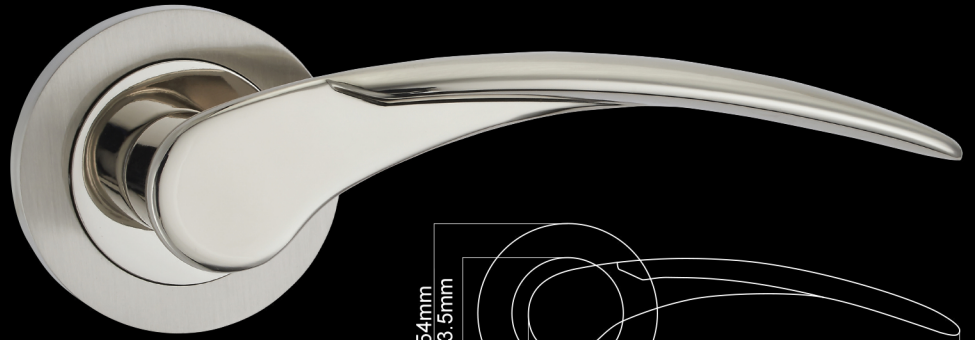
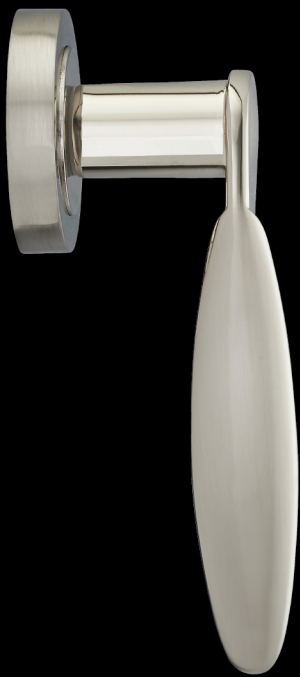


APOLLO



Classification

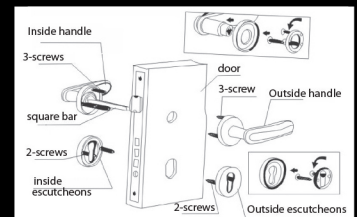
Category of use	Durability	Door Mass	Fire Resistance	Safety for Persons	Corrosion Resistance	Security	Type of Operation
1 - Medium Frequency of Use Internal Residential Use	6 - 100,000 Cycles	-	0	0	2 - 48 hours Salt atomised Spray	0	B
Finish	Dual Finish Satin Nickel/Nickel Polished	DIN EN 1906 Category of use	Grade 1	Axial Load	300N	Options Larger bolt Through fittings available on request for greater door thickness. Additional Finishes available : None	
Code	FDEAPO-SN/NP	DIN EN 1906 Durability	Grade 6				
Lever Base Material	Zinc Alloy / Zamak	DIN 1906 Corrosion Resistance	Grade 2				
Weight	490g	Spindal Size	As Required				
Door Thickness	35mm – 50mm	Angle of Rotation	0° 50°				
		Rotational Torque	20Nm				

Fitting Instructions

Suitable for door thicknesses of 35-50mm

- 1 Decide on left opening or right opening (see below).
- 2 Install escutcheons and terra as per drawing. Note; Leave screws slightly loose.
- 3 Adjust position, to make sure the terra turn smoothly.

Left Handed Door use left hand to open Right Handed Door use right hand to open



Cleaning Instructions

Always use a Soft cloth. If necessary, you can humidify the soft cloth. If absolutely necessary on rare occasions you can use a PH neutral soap on a soft cloth but immediately after application, you should remove any soap with the help of a moist soft cloth.

Under no circumstances should a hard tool (brush or wire metallic cloth), or an abrasive or acidic substance be used on the door terra.

Special Warning on Corrosive Air

Please be aware that environments where there are high concentrations of chemicals in the air, eg. emanating from low quality paint or corrosive agents, corrosion & damage may occur to the surface of the door lever. Door Levers should not be fitted into such environments until the high concentrations of chemicals in the air have subsided.

Fortessa Door Levers are covered by a 10 Year Guarantee on Mechanical Parts. This Guarantee covers the internal mechanisms of the Lever and the spring only. Our Levers have been tested to pass DIN EN 1906 European Quality Standards, and have been tested for frequency of use. Should the internal mechanism or spring within our levers fail to meet this standard, within a 10 year time frame, we guarantee to replace the failing internal parts free of charge. The warrant is to the original Retail Purchaser only, but to no other person. Should a mechanical part failure occur the replacement parts will be sent to the original retail purchaser, where we then advise they are fitted by a professional. The 10 year time frame begins at date of purchase. Receipt required for proof of purchase date.

All Fortessa Levers are tested for corrosion resistance properties. This test is performed using salt atomized spray. It is important that our levers are installed in the correct environment for their classification category. To maximise your enjoyment of our Levers, and for the guarantee to provide cover :- All Levers must be fitted according to the fitting instructions. Lever must be cared for according to the Care Instructions. Levers must be installed according to the relevant category of use specified by DIN EN 1906 Classification.



exclusively Distributed in UK by

